

1 2 3 4 5 6 7 8

A

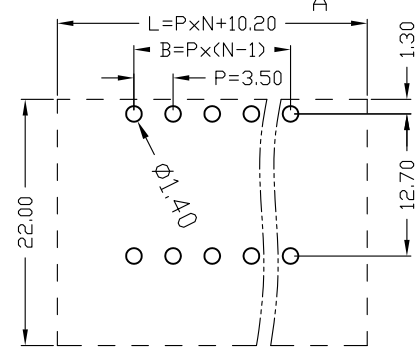
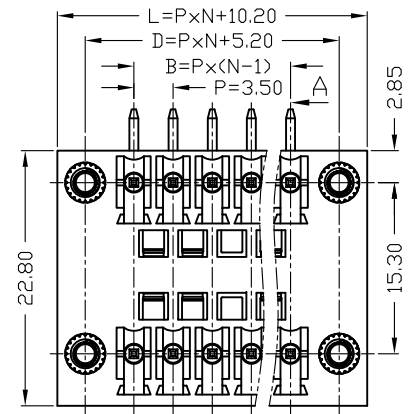
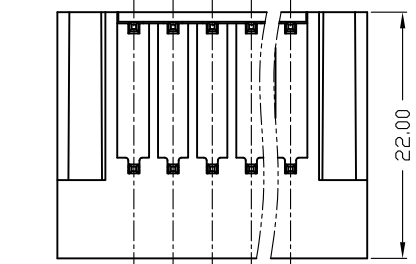
B

C

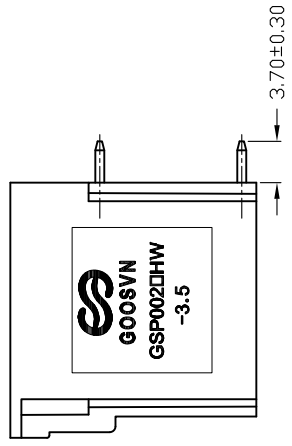
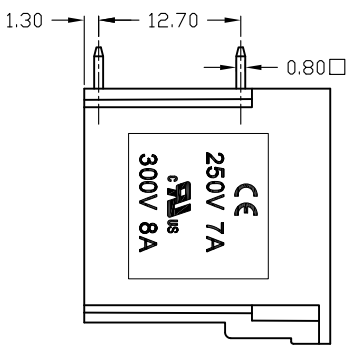
D

E

1 2



PCB LAYOUT



| 版次 (Version) | 变更内容 (Rev. Content) | 变更者 (Change Person) |
|--------------|---------------------|---------------------|
| | | |
| | | |

| 技术参数 (Technical Data) | | |
|--------------------------------------|-----------------------------------|---------|
| 项目 (Item) | UL | IEC |
| 额定电气参数 (Rated Electrical Parameters) | 300V/8A | 250V/7A |
| 压线范围 (Wire Range) | / | / |
| 工频耐压 (Frequency Voltage) | AC 2000V | |
| 冲击耐压 (Rated Surge Voltage) | 4000V | |
| 绝缘阻抗 (Insulation Resistance) | DC500V 500MΩ above | |
| 接触电阻 (Contact Resistance) | ≤8mΩ | |
| 剥线长度 (Stripping Length) | / | |
| 工作温度 (Temperature) | -40℃~+105℃ | |
| 材质和电镀 (Material and plating) | | |
| 绝缘材质 (Housing) | PA66 (UL94 V-0) | |
| 触点材料 (Contact) | 铜合金, 镀锡 (Copper alloy, Sn plated) | |
| / | / | |

产品命名编码:

(Product Number Code):

GSP002RHV-3.5-2*XXP-1Y-00A (H)

产品型号 (Series No.)

客户需求 (Customer Request)

极数 (No. of poles)

塑体颜色 (Housing Color)

- 1: 单倍间距 (Single Pitch)
- 2: 双倍间距 (Double Pitch)

- 1: 绿色 (Green)
- 2: 蓝色 (Blue)
- 3: 黑色 (Black)
- 4: 灰色 (Grey)
- 5: 橙色 (Orange)
- 6: 红色 (Red)
- 7: 透明色 (Transparent)
- 8: 白色 (White)
- 9: 黄色 (Yellow)
- Y: 多种颜色 (Mixed Color)

P=3.5mm, N为孔位数 (N for hole digits); 有效位数为 (Significant Digits): 2* (02P~24P)

| N | 2*02P | 2*03P | 2*04P | 2*05P | 2*06P | 2*07P | 2*08P | 2*09P | 2*10P | 2*11P | 2*12P | 2*13P |
|---|-------|-------|-------|-------|-------|-------|-------|-------|-------|-------|-------|-------|
| L | 17.20 | 20.70 | 24.20 | 27.70 | 31.20 | 34.70 | 38.20 | 41.70 | 45.20 | 48.70 | 52.20 | 55.70 |
| B | 3.50 | 7.00 | 10.50 | 14.00 | 17.50 | 21.00 | 24.50 | 28.00 | 31.50 | 35.00 | 38.50 | 42.00 |
| D | 12.20 | 15.70 | 19.20 | 22.70 | 26.20 | 29.70 | 33.20 | 36.70 | 40.20 | 43.70 | 47.20 | 50.70 |
| N | 2*14P | 2*15P | 2*16P | 2*17P | 2*18P | 2*19P | 2*20P | 2*21P | 2*22P | 2*23P | 2*24P | |
| L | 59.20 | 62.70 | 66.20 | 69.70 | 73.20 | 76.70 | 80.20 | 83.70 | 87.20 | 90.70 | 94.20 | |
| B | 45.50 | 49.00 | 52.50 | 56.00 | 59.50 | 63.00 | 66.50 | 70.00 | 73.50 | 77.00 | 80.50 | |
| D | 54.20 | 57.70 | 61.20 | 64.70 | 68.20 | 71.70 | 75.20 | 78.70 | 82.20 | 85.70 | 89.20 | |

宁波高胜电子有限公司
NINGBO GOOSVN ELECTRONIC CO.,LTD

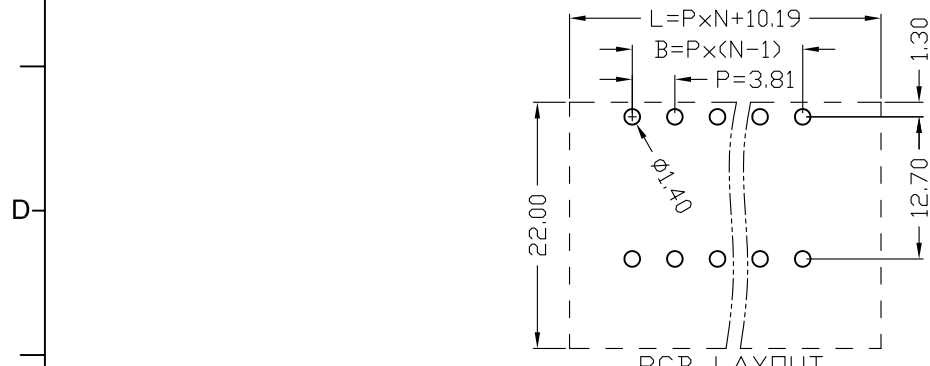
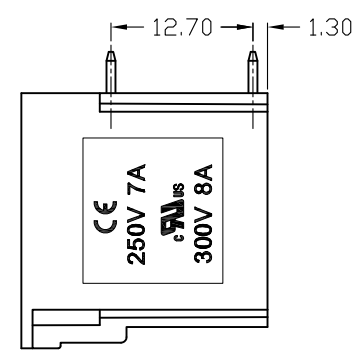
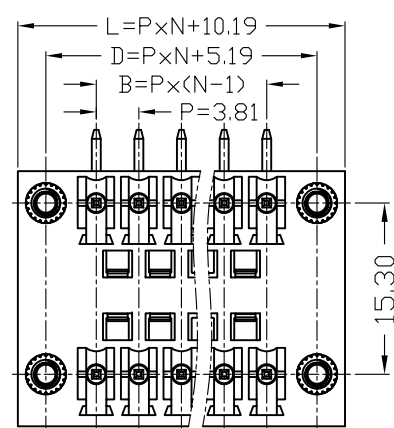
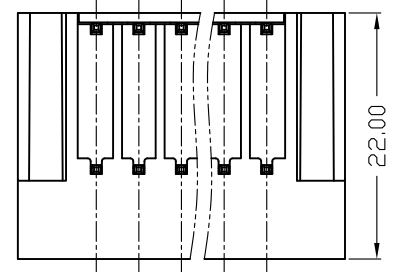
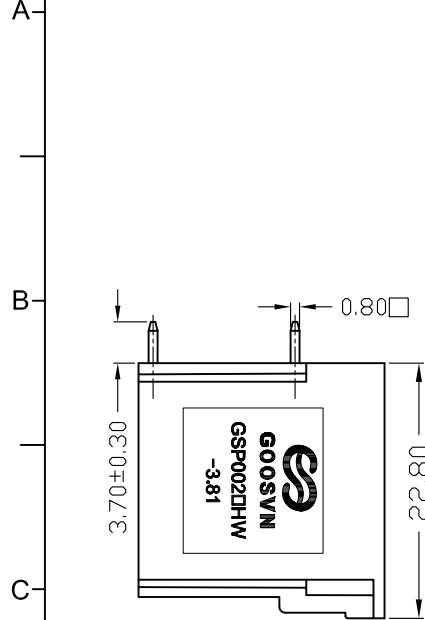
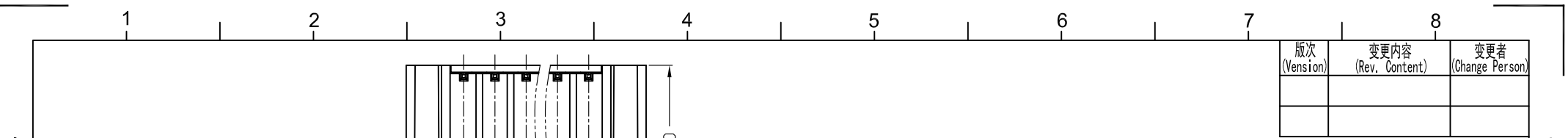
公差范围 (Tolerance Range)

| | |
|--------|-------|
| 150~ | ±1.50 |
| 60~150 | ±1.00 |
| 30~60 | ±0.60 |
| 6~30 | ±0.40 |
| 0~6 | ±0.25 |

型号 (Type): GSP002RHV-3.5-2*XXP-1Y-00A (H)

| | | |
|----------------|-------------------|------------------|
| 核准 (Approval): | 图号 (Drawing NO.): | |
| 审核 (Audit): | 单位 (Units): mm | 页码 (Page): 1/1 |
| 设计 (Design): | 比例 (Scale): FULL | 版次 (Version): T0 |

1 2 3 4 5 6 7 8

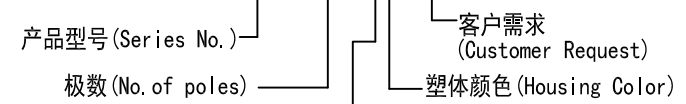


| 技术参数 (Technical Data) | | |
|--------------------------------------|-----------------------------------|---------|
| 项目 (Item) | UL | IEC |
| 额定电气参数 (Rated Electrical Parameters) | 300V/8A | 250V/7A |
| 压线范围 (Wire Range) | / | / |
| 工频耐压 (Frequency Voltage) | AC 2000V | |
| 冲击耐压 (Rated Surge Voltage) | 4000V | |
| 绝缘阻抗 (Insulation Resistance) | DC500V 500MΩ above | |
| 接触电阻 (Contact Resistance) | ≤8mΩ | |
| 剥线长度 (Stripping Length) | / | |
| 工作温度 (Temperature) | -40°C~+105°C | |
| 材质和电镀 (Material and plating) | | |
| 绝缘材质 (Housing) | PA66 (UL94 V-0) | |
| 触点材料 (Contact) | 铜合金, 镀锡 (Copper alloy, Sn plated) | |
| / | / | |

产品命名编码:

(Product Number Code):

GSP002RHW-3.81-2*XXP-1Y-00A (H)



| | |
|------------------------|-----------------------|
| 1: 单倍间距 (Single Pitch) | 7: 透明色 (Transparent) |
| 2: 双倍间距 (Double Pitch) | 8: 白色 (White) |
| | 9: 黄色 (Yellow) |
| | Y: 多种颜色 (Mixed Color) |
| | 6: 红色 (Red) |

P=3.81mm, N为孔位数 (N for hole digits); 有效位数为 (Significant Digits): 2* (02P~24P)

| N | 2*02P | 2*03P | 2*04P | 2*05P | 2*06P | 2*07P | 2*08P | 2*09P | 2*10P | 2*11P | 2*12P | 2*13P |
|---|-------|-------|-------|-------|-------|-------|-------|-------|-------|-------|--------|-------|
| L | 17.81 | 21.62 | 25.43 | 29.24 | 33.05 | 36.86 | 40.67 | 44.48 | 48.29 | 52.10 | 55.91 | 59.72 |
| B | 3.81 | 7.62 | 11.43 | 15.24 | 19.05 | 22.86 | 26.67 | 30.48 | 34.29 | 38.10 | 41.91 | 45.72 |
| D | 12.81 | 16.62 | 20.43 | 24.24 | 28.05 | 31.86 | 35.67 | 39.48 | 43.29 | 47.10 | 50.91 | 54.72 |
| N | 2*14P | 2*15P | 2*16P | 2*17P | 2*18P | 2*19P | 2*20P | 2*21P | 2*22P | 2*23P | 2*24P | |
| L | 63.53 | 67.34 | 71.15 | 74.96 | 78.77 | 82.58 | 86.39 | 90.20 | 94.01 | 97.82 | 101.63 | |
| B | 49.53 | 53.34 | 57.15 | 60.96 | 64.77 | 68.58 | 72.39 | 76.20 | 80.01 | 83.82 | 87.63 | |
| D | 58.53 | 62.34 | 66.15 | 69.96 | 73.77 | 77.58 | 81.39 | 85.20 | 89.01 | 92.82 | 96.63 | |

GOOSVN 宁波高胜电子有限公司
NINGBO GOOSVN ELECTRONIC CO.,LTD

公差范围 (Tolerance Range)

| | |
|--------|-------|
| 150~ | ±1.50 |
| 60~150 | ±1.00 |
| 30~60 | ±0.60 |
| 6~30 | ±0.40 |
| 0~6 | ±0.25 |

型号 (Type): GSP002RHW-3.81-2*XXP-1Y-00A (H)

核准 (Approval): _____ 图号 (Drawing NO.): _____

审核 (Audit): _____ 单位 (Units): mm 页码 (Page): 1/1

设计 (Design): _____ 比例 (Scale): FULL

版次 (Version): T0