

1 2 3 4 5 6 7 8

A

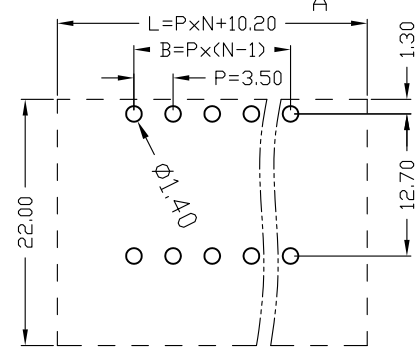
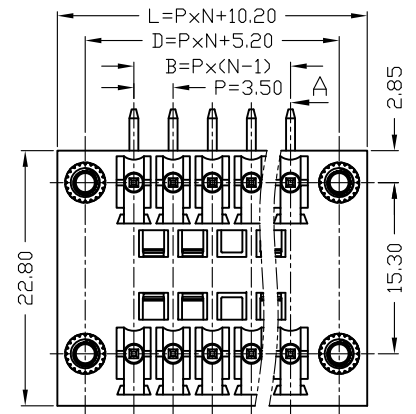
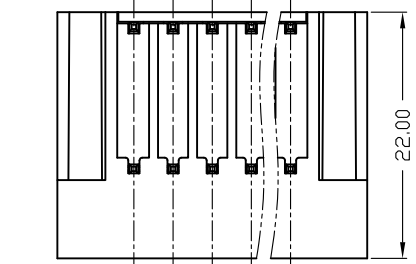
B

C

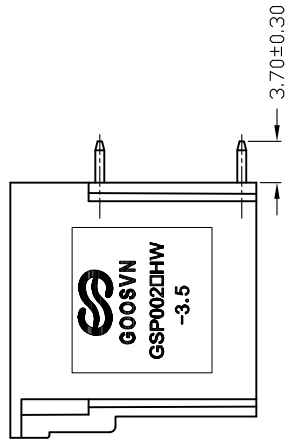
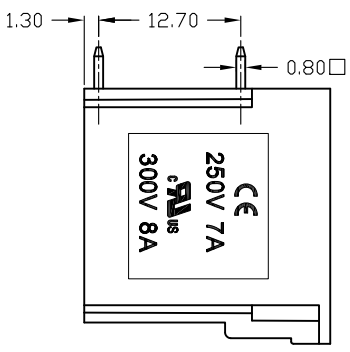
D

E

1 2



PCB LAYOUT



版次 (Version)	变更内容 (Rev. Content)	变更者 (Change Person)

技术参数 (Technical Data)		
项目 (Item)	UL	IEC
额定电气参数 (Rated Electrical Parameters)	300V/8A	250V/7A
压线范围 (Wire Range)	/	/
工频耐压 (Frequency Voltage)	AC 2000V	
冲击耐压 (Rated Surge Voltage)	4000V	
绝缘阻抗 (Insulation Resistance)	DC500V 500MΩ above	
接触电阻 (Contact Resistance)	≤8mΩ	
剥线长度 (Stripping Length)	/	
工作温度 (Temperature)	-40℃~+105℃	
材质和电镀 (Material and plating)		
绝缘材质 (Housing)	PA66 (UL94 V-0)	
触点材料 (Contact)	铜合金, 镀锡 (Copper alloy, Sn plated)	
/	/	

产品命名编码:

(Product Number Code):

GSP002RHW-3.5-2*XXP-1Y-00A (H)

产品型号 (Series No.)

客户需求 (Customer Request)

极数 (No. of poles)

塑体颜色 (Housing Color)

- 1: 单倍间距 (Single Pitch)
- 2: 双倍间距 (Double Pitch)

- 1: 绿色 (Green)
- 2: 蓝色 (Blue)
- 3: 黑色 (Black)
- 4: 灰色 (Grey)
- 5: 橙色 (Orange)
- 6: 红色 (Red)
- 7: 透明色 (Transparent)
- 8: 白色 (White)
- 9: 黄色 (Yellow)
- Y: 多种颜色 (Mixed Color)

P=3.5mm, N为孔位数 (N for hole digits); 有效位数为 (Significant Digits): 2* (02P~24P)

N	2*02P	2*03P	2*04P	2*05P	2*06P	2*07P	2*08P	2*09P	2*10P	2*11P	2*12P	2*13P
L	17.20	20.70	24.20	27.70	31.20	34.70	38.20	41.70	45.20	48.70	52.20	55.70
B	3.50	7.00	10.50	14.00	17.50	21.00	24.50	28.00	31.50	35.00	38.50	42.00
D	12.20	15.70	19.20	22.70	26.20	29.70	33.20	36.70	40.20	43.70	47.20	50.70
N	2*14P	2*15P	2*16P	2*17P	2*18P	2*19P	2*20P	2*21P	2*22P	2*23P	2*24P	
L	59.20	62.70	66.20	69.70	73.20	76.70	80.20	83.70	87.20	90.70	94.20	
B	45.50	49.00	52.50	56.00	59.50	63.00	66.50	70.00	73.50	77.00	80.50	
D	54.20	57.70	61.20	64.70	68.20	71.70	75.20	78.70	82.20	85.70	89.20	

宁波高胜电子有限公司
NINGBO GOOSVN ELECTRONIC CO.,LTD

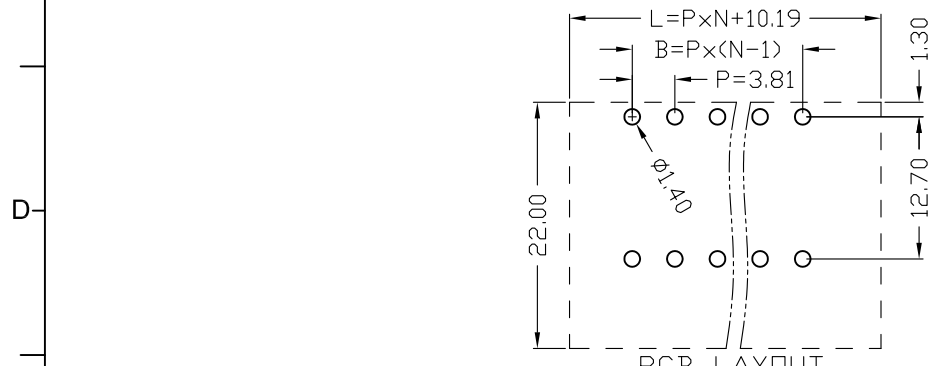
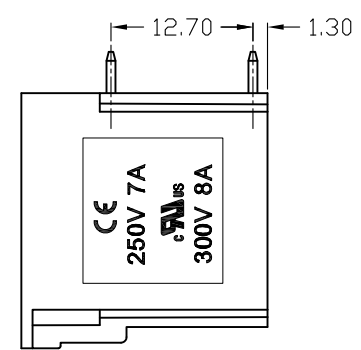
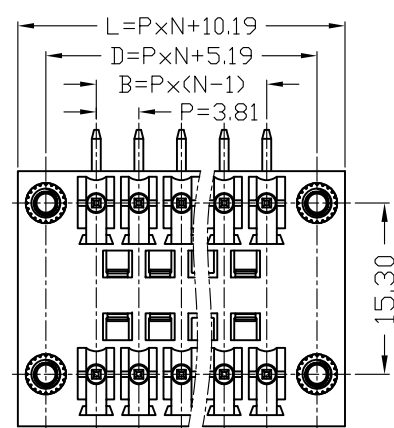
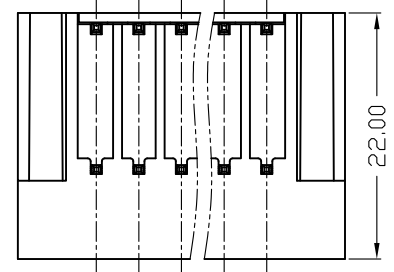
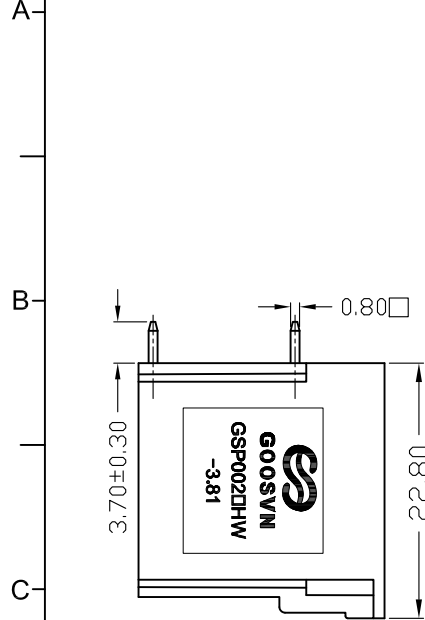
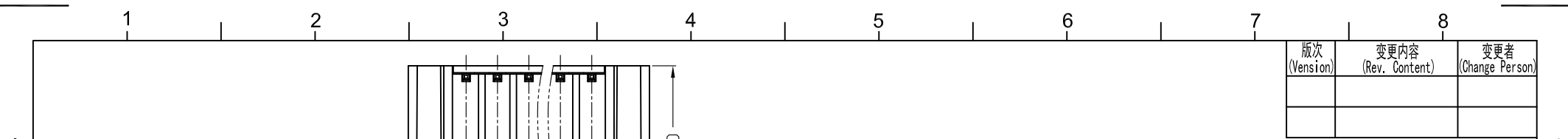
公差范围 (Tolerance Range)

150~	±1.50
60~150	±1.00
30~60	±0.60
6~30	±0.40
0~6	±0.25

型号 (Type): GSP002RHW-3.5-2*XXP-1Y-00A (H)

核准 (Approval):	图号 (Drawing NO.):	
审核 (Audit):	单位 (Units): mm	页码 (Page): 1/1
设计 (Design):	比例 (Scale): FULL	版次 (Version): T0

1 2 3 4 5 6 7 8



技术参数 (Technical Data)		
项目 (Item)	UL	IEC
额定电气参数 (Rated Electrical Parameters)	300V/8A	250V/7A
压线范围 (Wire Range)	/	/
工频耐压 (Frequency Voltage)	AC 2000V	
冲击耐压 (Rated Surge Voltage)	4000V	
绝缘阻抗 (Insulation Resistance)	DC500V 500MΩ above	
接触电阻 (Contact Resistance)	≤8mΩ	
剥线长度 (Stripping Length)	/	
工作温度 (Temperature)	-40°C~+105°C	
材质和电镀 (Material and plating)		
绝缘材质 (Housing)	PA66 (UL94 V-0)	
触点材料 (Contact)	铜合金, 镀锡 (Copper alloy, Sn plated)	
/	/	

产品命名编码:

(Product Number Code):

GSP002RHW-3.81-2*XXP-1Y-00A (H)



1: 单倍间距 (Single Pitch)	7: 透明色 (Transparent)
2: 双倍间距 (Double Pitch)	8: 白色 (White)
	9: 黄色 (Yellow)
	Y: 多种颜色 (Mixed Color)
	6: 红色 (Red)

P=3.81mm, N为孔位数 (N for hole digits); 有效位数为 (Significant Digits): 2* (02P~24P)

N	2*02P	2*03P	2*04P	2*05P	2*06P	2*07P	2*08P	2*09P	2*10P	2*11P	2*12P	2*13P
L	17.81	21.62	25.43	29.24	33.05	36.86	40.67	44.48	48.29	52.10	55.91	59.72
B	3.81	7.62	11.43	15.24	19.05	22.86	26.67	30.48	34.29	38.10	41.91	45.72
D	12.81	16.62	20.43	24.24	28.05	31.86	35.67	39.48	43.29	47.10	50.91	54.72
N	2*14P	2*15P	2*16P	2*17P	2*18P	2*19P	2*20P	2*21P	2*22P	2*23P	2*24P	
L	63.53	67.34	71.15	74.96	78.77	82.58	86.39	90.20	94.01	97.82	101.63	
B	49.53	53.34	57.15	60.96	64.77	68.58	72.39	76.20	80.01	83.82	87.63	
D	58.53	62.34	66.15	69.96	73.77	77.58	81.39	85.20	89.01	92.82	96.63	

GOOSVN 宁波高胜电子有限公司
NINGBO GOOSVN ELECTRONIC CO.,LTD

公差范围 (Tolerance Range)

150~	±1.50
60~150	±1.00
30~60	±0.60
6~30	±0.40
0~6	±0.25
角度 (Angle)	X ±2°
	XX ±1°

型号 (Type): GSP002RHW-3.81-2*XXP-1Y-00A (H)

核准 (Approval): _____ 图号 (Drawing NO.): _____

审核 (Audit): _____ 单位 (Units): mm 页码 (Page): 1/1

设计 (Design): _____ 比例 (Scale): FULL

版次 (Version): T0