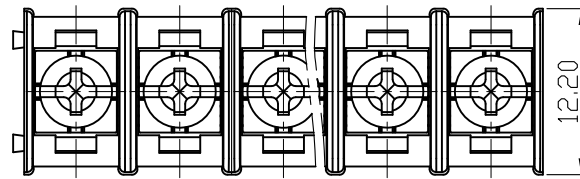


版次 (Version)	变更内容 (Rev. Content)	变更者 (Change Person)



技术参数 (Technical Data)		
项目 (Item)	UL	IEC
额定电气参数 (Rated Electrical Parameters)	300V/15A	320V/24A
压线范围 (Wire Range)	22~14AWG	2.5mm ²
工频耐压 (Frequency Voltage)	AC 2500V	
冲击耐压 (Rated Surge Voltage)	4000V	
绝缘阻抗 (Insulation Resistance)	DC500V 500MΩ above	
接触电阻 (Contact Resistance)	≤8mΩ	
剥线长度 (Stripping Length)	7~8mm	
工作温度 (Temperature)	-40°C~+105°C	
材质和电镀 (Material and plating)		
绝缘材质 (Housing)	PA66 (UL94 V-0)	
触点材料 (Contact)	铜合金, 镀锡 (Copper alloy, Sn plating)	
螺丝 (Screws)	钢, 镀镍 (Steel, Nickel plating)	

A

A

B

B

C

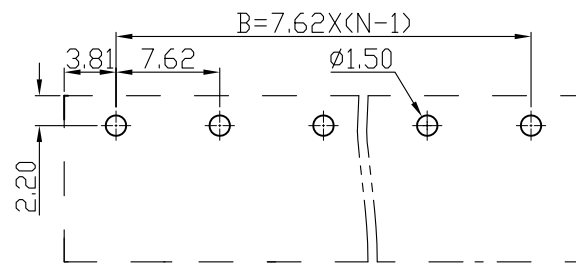
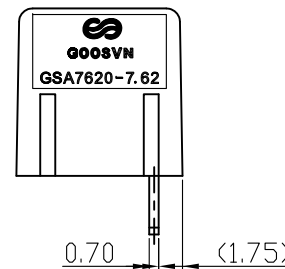
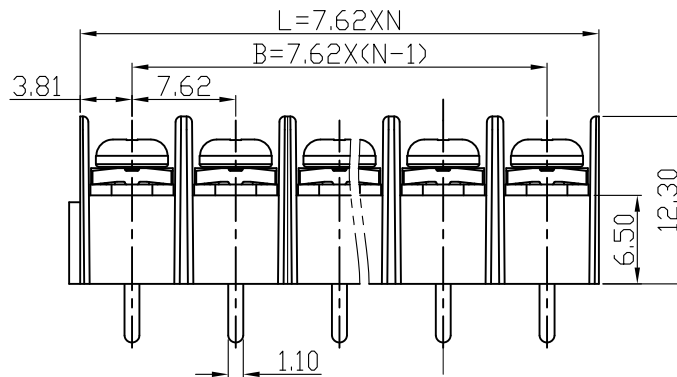
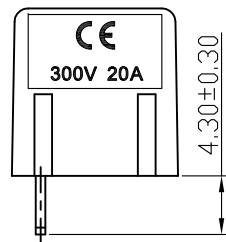
C

D

D

E

E



PCB LAYOUT

产品命名编码:

(Product Number Code):

GSA7620-7.62-XXP-1Y-00A (H)

产品型号 (Series No.)

客户需求

(Customer Request)

极数 (No. of poles)

塑体颜色 (Housing Color)

- 1: 单倍间距 (Single Pitch)
- 2: 双倍间距 (Double Pitch)

- 7: 透明色 (Transparent)
- 8: 白色 (White)
- 9: 黄色 (Yellow)
- Y: 多种颜色 (Mixed Color)

P=7.62mm, N为孔位数 (N for hole digits), 有效位数为 (Significant Digits): 02P~24P

N	02P	03P	04P	05P	06P	07P	N	08P	09P	10P	11P	12P	13P	14P
L	15.24	22.86	30.48	38.10	45.72	53.34	L	60.96	68.58	76.20	83.82	91.44	99.06	106.68
B	7.62	15.24	22.86	30.48	38.10	45.72	B	53.34	60.96	68.58	76.20	83.82	91.44	99.06
N	15P	16P	17P	18P	19P	20P	N	21P	22P	23P	24P	25P	26P	
L	114.30	121.92	129.54	137.16	144.78	152.40	L	160.02	167.64	175.26	182.88	190.05	197.67	
B	106.68	114.30	121.92	129.54	137.16	144.78	B	152.40	160.02	167.64	175.26	182.88	190.05	

GOOSVN 宁波高胜电子有限公司
NINGBO GOOSVN ELECTRONIC CO.,LTD

公差范围 (Tolerance Range)

型号 (Type): GSA7620-7.62-XXP-1Y-00A (H)

核准 (Approval):

图号 (Drawing NO.):

审核 (Audit):

单位 (Units): mm

页码 (Page): 1/1

设计 (Design):

比例 (Scale): FULL

版次 (Version): T0

150~ ±1.50

60~150 ±1.00

30~60 ±0.60

6~30 ±0.40

0~6 ±0.25

角度 (Angle) X ±2°

XX ±1°