

| 版次 (Version) | 变更内容 (Rev. Content) | 变更者 (Change Person) |
|--------------|---------------------|---------------------|
|              |                     |                     |
|              |                     |                     |

| 技术参数 (Technical Data)                |                                   |         |
|--------------------------------------|-----------------------------------|---------|
| 项 目 (Item)                           | UL                                | IEC     |
| 额定电气参数 (Rated Electrical Parameters) | 300V/8A                           | 250V/7A |
| 压线范围 (Wire Range)                    | /                                 | /       |
| 工频耐压 (Frequency Voltage)             | AC 2000V                          |         |
| 冲击耐压 (Rated Surge Voltage)           | 4000V                             |         |
| 绝缘阻抗 (Insulation Resistance)         | DC500V 500MΩ above                |         |
| 接触电阻 (Contact Resistance)            | ≤8mΩ                              |         |
| 剥线长度 (Stripping Length)              | /                                 |         |
| 工作温度 (Temperature)                   | -40°C~+105°C                      |         |
| 材质和电镀 (Material and plating)         |                                   |         |
| 绝缘材质 (Housing)                       | PA66 (UL94 V-0)                   |         |
| 触点材料 (Contact)                       | 铜合金, 镀锡 (Copper alloy, Sn plated) |         |
| 螺母 (Nut)                             | 铜合金 (Copper)                      |         |

产品命名编码:  
(Product Number Code):  
GSP002SW-3.5-XXP-1Y-00A (H)

产品型号 (Series No.) | 客户需求 (Customer Request)  
极数 (No. of poles) | 塑体颜色 (Housing Color)

- |                        |                       |
|------------------------|-----------------------|
| 1: 单倍间距 (Single Pitch) | 7: 透明色 (Transparent)  |
| 2: 双倍间距 (Double Pitch) | 8: 白色 (White)         |
| 3: 绿色 (Green)          | 9: 黄色 (Yellow)        |
| 4: 蓝色 (Blue)           | Y: 多种颜色 (Mixed Color) |
| 5: 黑色 (Black)          |                       |
| 6: 灰色 (Grey)           |                       |
| 7: 橙色 (Orange)         |                       |
| 8: 红色 (Red)            |                       |

P=3.5mm, N为孔位数 (N for hole digits), 有效位数为 (Significant Digits): 02P~24P

| N | 02P   | 03P   | 04P   | 05P   | 06P   | 07P   | 08P   | 09P   | 10P   | 11P   | 12P   | 13P   |
|---|-------|-------|-------|-------|-------|-------|-------|-------|-------|-------|-------|-------|
| L | 17.70 | 21.20 | 24.70 | 28.20 | 31.70 | 35.20 | 38.70 | 42.20 | 45.70 | 49.20 | 52.70 | 56.20 |
| B | 3.50  | 7.00  | 10.50 | 14.00 | 17.50 | 21.00 | 24.50 | 28.00 | 31.50 | 35.00 | 38.50 | 42.00 |
| D | 12.50 | 16.00 | 19.50 | 23.00 | 26.50 | 30.00 | 33.50 | 37.00 | 40.50 | 44.00 | 47.50 | 51.00 |
| N | 14P   | 15P   | 16P   | 17P   | 18P   | 19P   | 20P   | 21P   | 22P   | 23P   | 24P   |       |
| L | 59.70 | 63.20 | 66.70 | 70.20 | 73.70 | 77.20 | 80.70 | 84.20 | 87.70 | 91.20 | 94.70 |       |
| B | 45.50 | 49.00 | 52.50 | 56.00 | 59.50 | 63.00 | 66.50 | 70.00 | 73.50 | 77.00 | 80.50 |       |
| D | 54.50 | 58.00 | 61.50 | 65.00 | 68.50 | 72.00 | 75.50 | 79.00 | 82.50 | 86.00 | 89.50 |       |

**GOOSVN 宁波高胜电子有限公司**  
NINGBO GOOSVN ELECTRONIC CO.,LTD

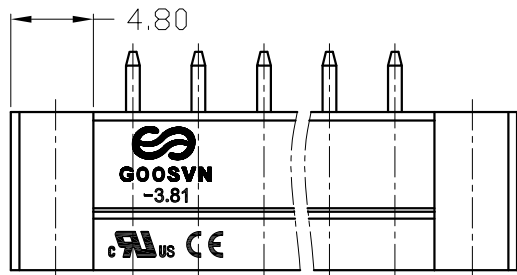
公差范围 (Tolerance Range):  
150~ ±1.50  
60~150 ±1.00  
30~60 ±0.60  
6~30 ±0.40  
0~6 ±0.25

型号 (Type): GSP002SW-3.5-XXP-1Y-00A (H)

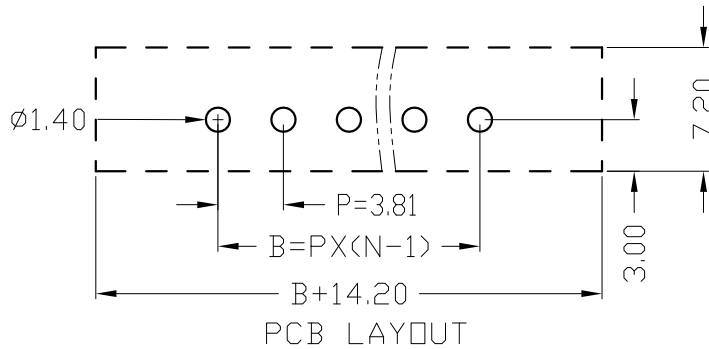
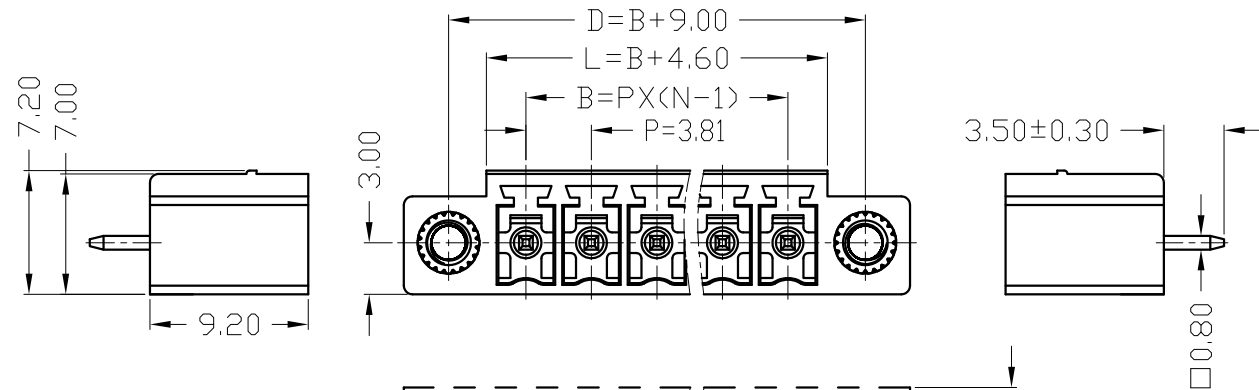
核准 (Approval): 图号 (Drawing NO.):  
审核 (Audit): 单位 (Units): mm 页码 (Page): 1/1  
设计 (Design): 比例 (Scale): FULL 角度 (Angle): X ±2°, XX ±1°

版次 (Version): T0

| 版次 (Version) | 变更内容 (Rev. Content) | 变更者 (Change Person) |
|--------------|---------------------|---------------------|
|              |                     |                     |
|              |                     |                     |



| 技术参数 (Technical Data)                |                                   |         |
|--------------------------------------|-----------------------------------|---------|
| 项目 (Item)                            | UL                                | IEC     |
| 额定电气参数 (Rated Electrical Parameters) | 300V/8A                           | 250V/7A |
| 压线范围 (Wire Range)                    | /                                 | /       |
| 工频耐压 (Frequency Voltage)             | AC 2000V                          |         |
| 冲击耐压 (Rated Surge Voltage)           | 4000V                             |         |
| 绝缘阻抗 (Insulation Resistance)         | DC500V 500MΩ above                |         |
| 接触电阻 (Contact Resistance)            | ≤20mΩ                             |         |
| 剥线长度 (Stripping Length)              | /                                 |         |
| 工作温度 (Temperature)                   | -40°C~+105°C                      |         |
| 材质和电镀 (Material and plating)         |                                   |         |
| 绝缘材质 (Housing)                       | PA66 (UL94 V-0)                   |         |
| 触点材料 (Contact)                       | 铜合金, 镀锡 (Copper alloy, Sn plated) |         |
| 螺母 (Nut)                             | 铜合金 (Copper alloy)                |         |



产品命名编码:

(Product Number Code):

GSP002SW-3.81-XXP-1Y-00A (H)

产品型号 (Series No.)

客户需求 (Customer Request)

极数 (No. of poles)

塑体颜色 (Housing Color)

- 1: 单倍间距 (Single Pitch)
- 2: 双倍间距 (Double Pitch)

- 3: 绿色 (Green)
- 4: 蓝色 (Blue)
- 5: 黑色 (Black)
- 6: 灰色 (Grey)
- 7: 透明色 (Transparent)
- 8: 白色 (White)
- 9: 黄色 (Yellow)
- Y: 多种颜色 (Mixed Color)

P=3.81mm, N为孔位数 (N for hole digits), 有效位数为 (Significant Digits): 02P~24P

| N | 02P   | 03P   | 04P   | 05P   | 06P   | 07P   | 08P   | 09P   | 10P   | 11P   | 12P   | 13P   |
|---|-------|-------|-------|-------|-------|-------|-------|-------|-------|-------|-------|-------|
| L | 8.41  | 12.22 | 16.03 | 19.84 | 23.65 | 27.46 | 31.27 | 35.08 | 38.89 | 42.70 | 46.51 | 50.32 |
| B | 3.81  | 7.62  | 11.43 | 15.24 | 19.05 | 22.86 | 26.67 | 30.48 | 34.29 | 38.10 | 41.91 | 45.72 |
| D | 12.81 | 16.62 | 20.43 | 24.24 | 28.05 | 31.86 | 35.67 | 39.48 | 43.29 | 47.10 | 50.91 | 54.72 |
| N | 14P   | 15P   | 16P   | 17P   | 18P   | 19P   | 20P   | 21P   | 22P   | 23P   | 24P   |       |
| L | 54.13 | 57.94 | 61.75 | 65.56 | 69.37 | 73.18 | 76.99 | 80.80 | 84.61 | 88.42 | 92.23 |       |
| B | 49.53 | 53.34 | 57.15 | 60.96 | 64.77 | 68.58 | 72.39 | 76.20 | 80.01 | 83.82 | 87.63 |       |
| D | 58.53 | 62.34 | 66.15 | 69.96 | 73.77 | 77.58 | 81.39 | 85.20 | 89.01 | 92.82 | 96.63 |       |

|   |  |                        |                  |
|---|--|------------------------|------------------|
| <b>宁波高胜电子有限公司</b><br>NINGBO GOOSVN ELECTRONIC CO.,LTD |  | 公差范围 (Tolerance Range) |                  |
|   |  | 150~                   | ±1.50            |
| 型号 (Type): GSP002SW-3.81-XXP-1Y-00A (H)               |  | 60~150                 | ±1.00            |
|   |  | 30~60                  | ±0.60            |
| 核准 (Approval):  |  | 6~30                   | ±0.40            |
|   |  | 0~6                    | ±0.25            |
| 审核 (Audit):   |  | 角度 (Angle)             | X ±2°            |
|   |  | XX                     | ±1°              |
| 设计 (Design):  |  | 比例 (Scale): FULL       | 版次 (Version): T0 |