

1 2 3 4 5 6 7 8

A

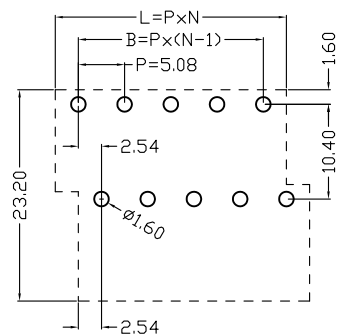
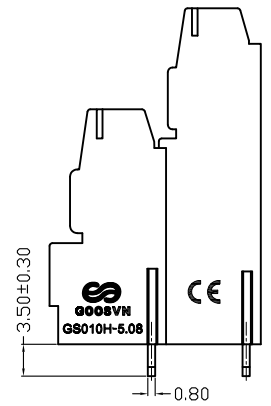
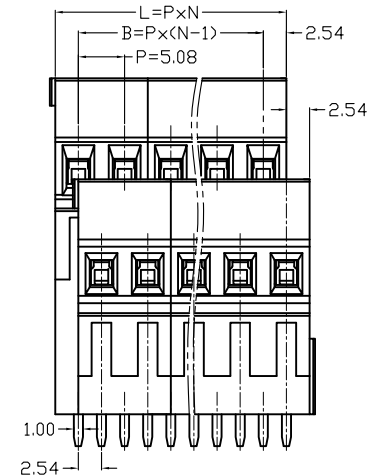
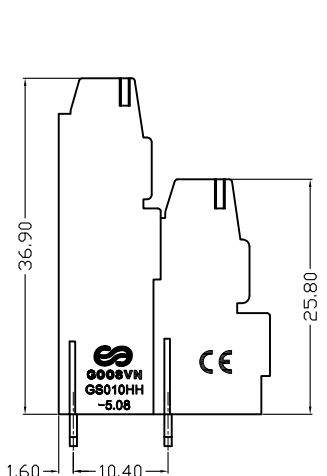
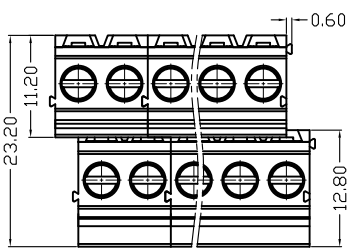
B

C

D

E

版次 (Version)	变更内容 (Rev. Content)	变更者 (Change Person)



PCB LAYOUT

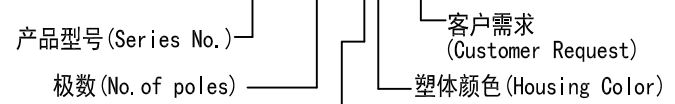
技术参数 (Technical Data)		
项目 (Item)	UL	IEC
额定电气参数 (Rated Electrical Parameters)	300V/16A	250V/18A
压线范围 (Wire Range)	24~12AWG	2.5mm <sup>2</sup>
工频耐压 (Frequency Voltage)	AC 2500V	
冲击耐压 (Rated Surge Voltage)	4000V	
绝缘阻抗 (Insulation Resistance)	DC500V 500MΩ above	
接触电阻 (Contact Resistance)	≤20mΩ	
剥线长度 (Stripping Length)	7mm	
工作温度 (Temperature)	-40°C~+105°C	

材质和电镀 (Material and plating)	
绝缘材质 (Housing)	PA66 (UL94 V-0)
触点材料 (Contact)	铜合金, 镀锡 (Copper alloy, Sn plated)
螺丝 (Screws)	钢, 镀锌 (Steel, Zn plated)
方盒 (Gage)	铜合金, 镀镍 (Copper alloy, Ni plated)

产品命名编码:

(Product Number Code):

GS010B2-5.08-2\*XXP-1Y-00A (H)



- 1: 单倍间距 (Single Pitch)
- 2: 双倍间距 (Double Pitch)

- 1: 绿色 (Green)
- 2: 蓝色 (Blue)
- 3: 黑色 (Black)
- 4: 灰色 (Grey)
- 5: 橙色 (Orange)
- 6: 红色 (Red)
- 7: 透明色 (Transparent)
- 8: 白色 (White)
- 9: 黄色 (Yellow)
- Y: 多种颜色 (Mixed Color)

P=5.08mm, N为孔位数 (N for hole digits), 有效位数为 (Significant Digits): 2\*02P~2\*XXP

N	2*02P	2*03P	2*04P	2*05P	2*06P	2*07P	2*08P	2*09P	2*10P	2*11P	2*12P	2*13P
L	10.16	15.24	20.32	25.40	30.48	35.56	40.64	45.72	50.80	55.88	60.96	66.04
B	5.08	10.16	15.24	20.32	25.40	30.48	35.56	40.64	45.72	50.80	55.88	60.96
N	2*14P	2*15P	2*16P	2*17P	2*18P	2*19P	2*20P	2*21P	2*22P	2*23P	2*24P	...
L	71.12	76.20	81.28	86.36	91.44	96.52	101.60	106.68	111.76	116.84	121.92	
B	66.04	71.12	76.20	81.28	86.36	91.44	96.52	101.60	106.68	111.76	116.84	

**宁波高胜电子有限公司**

NINGBO GOOSVN ELECTRONIC CO.,LTD

公差范围 (Tolerance Range)	
150~	±1.50
60~150	±1.00
30~60	±0.60
6~30	±0.40
0~6	±0.25
角度 (Angle)	X ±2°
	XX ±1°

型号 (Type): GS010B2-5.08-2\*XXP-1Y-00A (H)

核准 (Approval): \_\_\_\_\_ 图号 (Drawing NO.): \_\_\_\_\_

审核 (Audit): \_\_\_\_\_ 单位 (Units): mm 页码 (Page): 1/1

设计 (Design): \_\_\_\_\_ 比例 (Scale): FULL 版次 (Version): T0

1 2 3 4 5 6 7 8