

1 2 3 4 5 6 7 8

版次 (Version)	变更内容 (Rev. Content)	变更者 (Change Person)

A

B

C

D

E

技术参数 (Technical Data)		
项目 (Item)	UL	IEC
额定电气参数 (Rated Electrical Parameters)	300V/15A	450V/17A
压线范围 (Wire Range)	28~12AWG	2.5mm <sup>2</sup>
工频耐压 (Frequency Voltage)	AC 2500V	
冲击耐压 (Rated Surge Voltage)	4000V	
绝缘阻抗 (Insulation Resistance)	DC500V 500MΩ above	
接触电阻 (Contact Resistance)	≤20mΩ	
剥线长度 (Stripping Length)	6mm	
工作温度 (Temperature)	-40°C~+105°C	
材质和电镀 (Material and plating)		
绝缘材质 (Housing)	PA66 (UL94 V-0)	
触点材料 (Contact)	铜合金, 镀锡 (Copper alloy, Sn plated)	
螺钉 (Screwing)	不锈钢 (Stainless)	

产品命名编码:

(Product Number Code):

GSL008-5.0-XXP-1Y-00A(H)

产品型号 (Series No.)

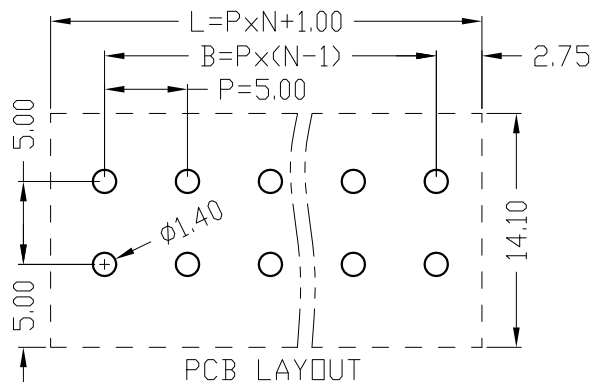
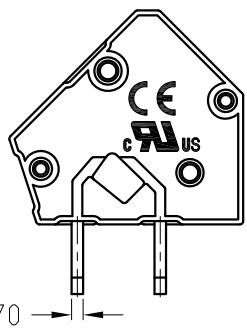
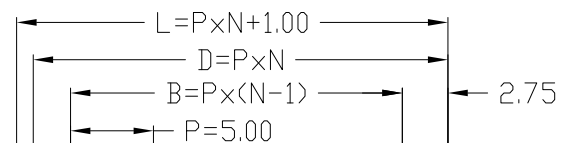
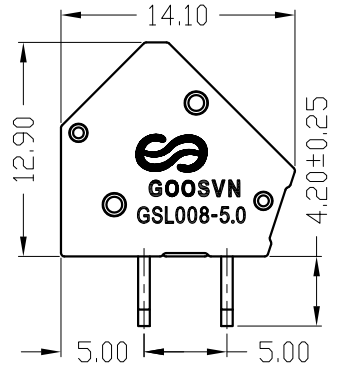
客户需求  
(Customer Request)

极数 (No. of poles)

塑体颜色 (Housing Color)

- 1: 单倍间距 (Single Pitch)
- 2: 双倍间距 (Double Pitch)

- 7: 透明色 (Transparent)
- 8: 白色 (White)
- 9: 黄色 (Yellow)
- Y: 多种颜色 (Mixed Color)

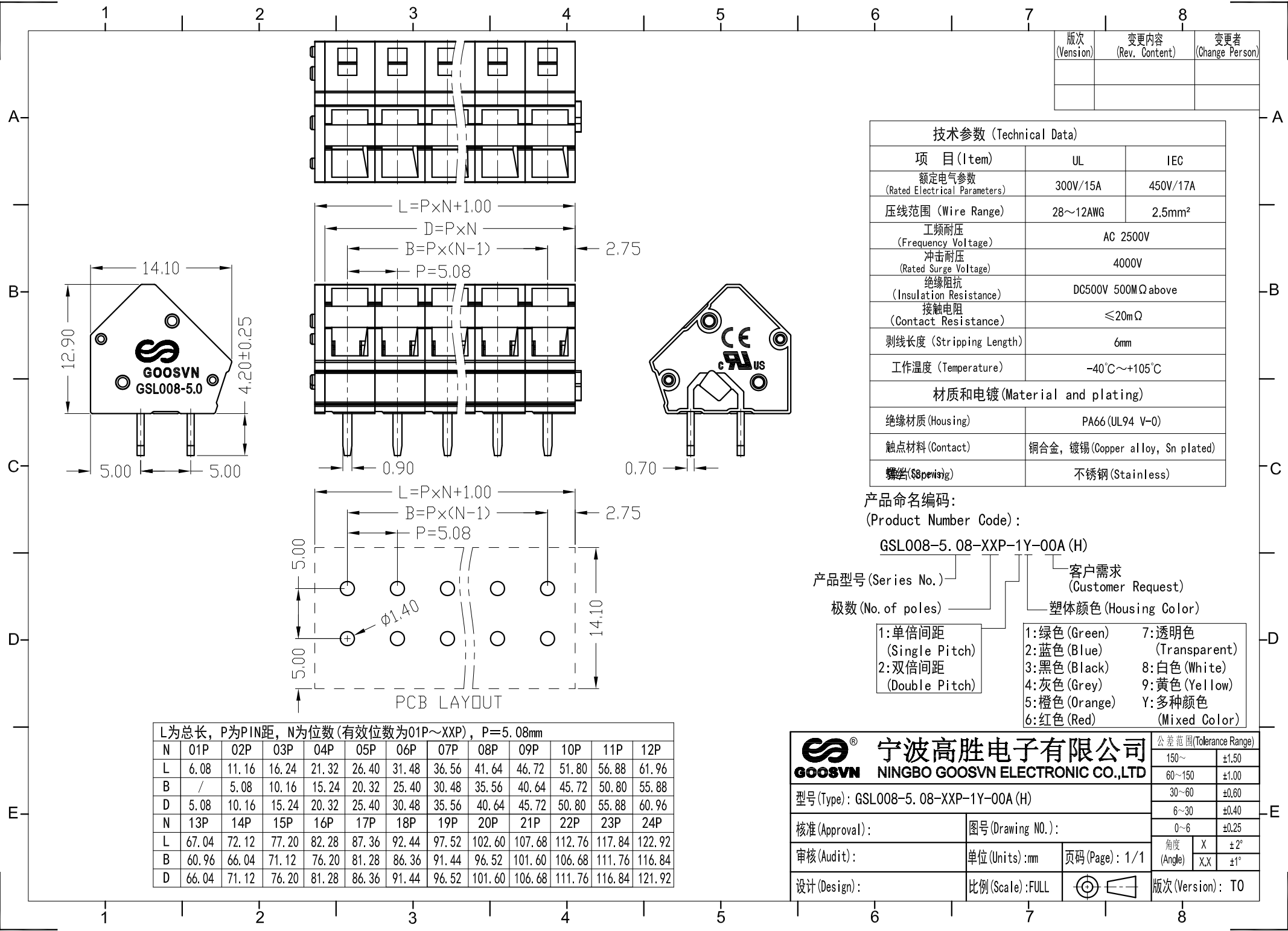


L为总长, P为PIN距, N为位数 (有效位数为01P~XXP), P=5.00mm

N	01P	02P	03P	04P	05P	06P	07P	08P	09P	10P	11P	12P
L	6.00	11.00	16.00	21.00	26.00	31.00	36.00	41.00	46.00	51.00	56.00	61.00
B	/	5.00	10.00	15.00	20.00	25.00	30.00	35.00	40.00	45.00	50.00	55.00
D	5.00	10.00	15.00	20.00	25.00	30.00	35.00	40.00	45.00	50.00	55.00	60.00
N	13P	14P	15P	16P	17P	18P	19P	20P	21P	22P	23P	24P
L	66.00	71.00	76.00	81.00	86.00	91.00	96.00	101.00	106.00	111.00	116.00	121.00
B	60.00	65.00	70.00	75.00	80.00	85.00	90.00	95.00	100.00	105.00	110.00	115.00
D	65.00	70.00	75.00	80.00	85.00	90.00	95.00	100.00	105.00	110.00	115.00	120.00

<b>宁波高胜电子有限公司</b> NINGBO GOOSVN ELECTRONIC CO.,LTD	公差范围 (Tolerance Range)	
	150~	±1.50
型号 (Type): GSL008-5.0-XXP-1Y-00A(H)	60~150	±1.00
	30~60	±0.60
核准 (Approval):	6~30	±0.40
	0~6	±0.25
审核 (Audit):	角度 (Angle)	X ±2°
	XX	±1°
设计 (Design):	单位 (Units): mm	页码 (Page): 1/1
	比例 (Scale): FULL	版次 (Version): T0

1 2 3 4 5 6 7 8



版次 (Version)	变更内容 (Rev. Content)	变更者 (Change Person)

技术参数 (Technical Data)		
项目 (Item)	UL	IEC
额定电气参数 (Rated Electrical Parameters)	300V/15A	450V/17A
压线范围 (Wire Range)	28~12AWG	2.5mm <sup>2</sup>
工频耐压 (Frequency Voltage)	AC 2500V	
冲击耐压 (Rated Surge Voltage)	4000V	
绝缘阻抗 (Insulation Resistance)	DC500V 500MΩ above	
接触电阻 (Contact Resistance)	≤20mΩ	
剥线长度 (Stripping Length)	6mm	
工作温度 (Temperature)	-40°C~+105°C	
材质和电镀 (Material and plating)		
绝缘材质 (Housing)	PA66 (UL94 V-0)	
触点材料 (Contact)	铜合金, 镀锡 (Copper alloy, Sn plated)	
螺钉 (Screwing)	不锈钢 (Stainless)	

产品命名编码:

(Product Number Code):

GSL008-5.08-XXP-1Y-00A (H)

产品型号 (Series No.)

客户需求 (Customer Request)

极数 (No. of poles)

塑体颜色 (Housing Color)

- 1: 单倍间距 (Single Pitch)
- 2: 双倍间距 (Double Pitch)

- 7: 透明色 (Transparent)
- 8: 白色 (White)
- 9: 黄色 (Yellow)
- Y: 多种颜色 (Mixed Color)

L为总长, P为PIN距, N为位数 (有效位数为01P~XXP), P=5.08mm

N	01P	02P	03P	04P	05P	06P	07P	08P	09P	10P	11P	12P
L	6.08	11.16	16.24	21.32	26.40	31.48	36.56	41.64	46.72	51.80	56.88	61.96
B	/	5.08	10.16	15.24	20.32	25.40	30.48	35.56	40.64	45.72	50.80	55.88
D	5.08	10.16	15.24	20.32	25.40	30.48	35.56	40.64	45.72	50.80	55.88	60.96
N	13P	14P	15P	16P	17P	18P	19P	20P	21P	22P	23P	24P
L	67.04	72.12	77.20	82.28	87.36	92.44	97.52	102.60	107.68	112.76	117.84	122.92
B	60.96	66.04	71.12	76.20	81.28	86.36	91.44	96.52	101.60	106.68	111.76	116.84
D	66.04	71.12	76.20	81.28	86.36	91.44	96.52	101.60	106.68	111.76	116.84	121.92

<b>宁波高胜电子有限公司</b> NINGBO GOOSVN ELECTRONIC CO.,LTD		公差范围 (Tolerance Range)	
		150~	±1.50
型号 (Type): GSL008-5.08-XXP-1Y-00A (H)		60~150	±1.00
		30~60	±0.60
核准 (Approval):		6~30	±0.40
		0~6	±0.25
审核 (Audit):		角度 (Angle)	X ±2°
		XX	±1°
设计 (Design):		比例 (Scale): FULL	版次 (Version): T0