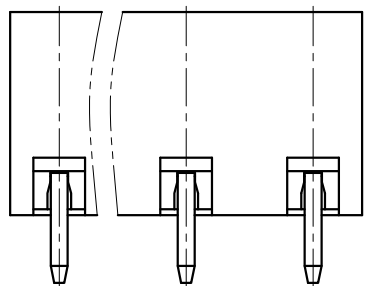
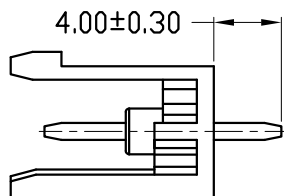
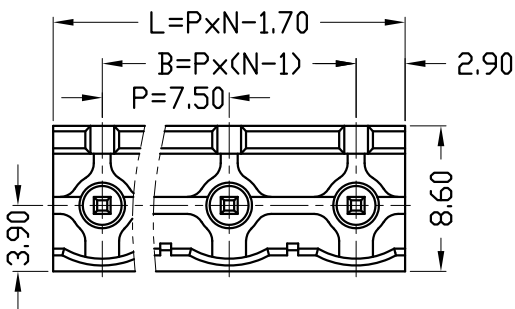
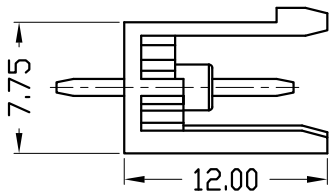


PCB LAYOUT



P=7.50mm, N为孔位数 (N for hole digits), 有效位数为 (Significant Digits): 02P~24P

N	02P	03P	04P	05P	06P	07P	08P	09P	10P	11P	12P	13P
L	13.30	20.80	28.30	35.80	43.30	50.80	58.30	65.80	73.30	80.80	88.30	95.80
B	7.50	15.00	22.50	30.00	37.50	45.00	52.50	60.00	67.50	75.00	82.50	90.00
N	14P	15P	16P	17P	18P	19P	20P	21P	22P	23P	24P	
L	103.30	110.80	118.30	125.80	133.30	140.80	148.30	155.80	163.30	170.80	178.30	
B	97.50	105.00	112.50	120.00	127.50	135.00	142.50	150.00	157.50	165.00	172.50	

版次 (Version)	变更内容 (Rev. Content)	变更者 (Change Person)

技术参数 (Technical Data)		
项目 (Item)	UL	IEC
额定电气参数 (Rated Electrical Parameters)	300V/16A	400V/20A
压线范围 (Wire Range)	/	/
工频耐压 (Frequency Voltage)	AC 2500V	
冲击耐压 (Rated Surge Voltage)	6000V	
绝缘阻抗 (Insulation Resistance)	DC500V 500MΩ above	
接触电阻 (Contact Resistance)	≤20mΩ	
剥线长度 (Stripping Length)	/	
工作温度 (Temperature)	-40°C~+105°C	
材质和电镀 (Material and plating)		
绝缘材质 (Housing)	PA66 (UL94 V-0)	
触点材料 (Contact)	铜合金, 镀锡 (Copper alloy, Sn plated)	
/	/	

产品命名编码:

(Product Number Code):

GSP001S-7.5-XXP-1Y-00A (H)

产品型号 (Series No.)

客户需求

(Customer Request)

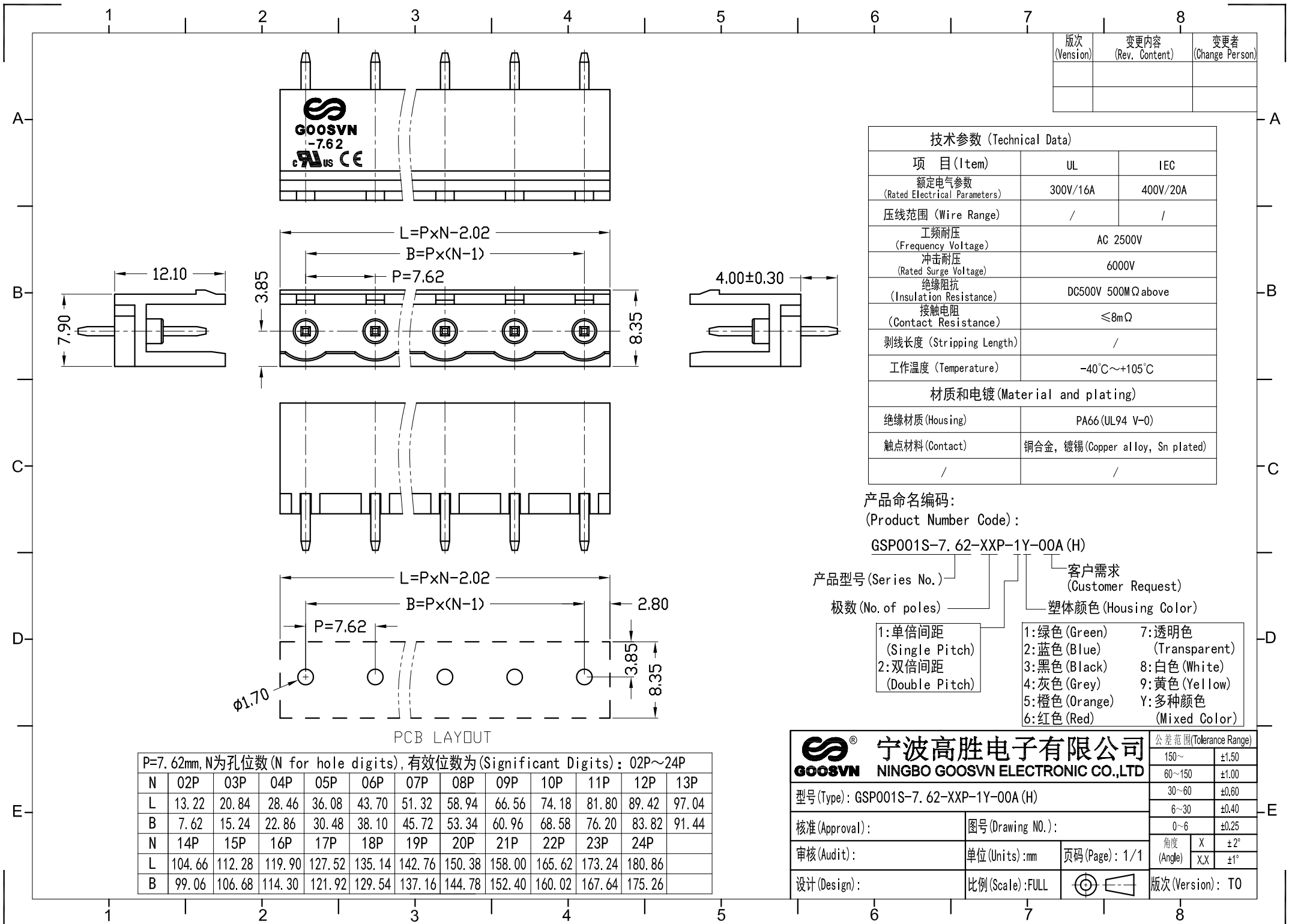
极数 (No. of poles)

塑体颜色 (Housing Color)

- 1: 单倍间距 (Single Pitch)
- 2: 双倍间距 (Double Pitch)

- 1: 绿色 (Green)
- 2: 蓝色 (Blue)
- 3: 黑色 (Black)
- 4: 灰色 (Grey)
- 5: 橙色 (Orange)
- 6: 红色 (Red)
- 7: 透明色 (Transparent)
- 8: 白色 (White)
- 9: 黄色 (Yellow)
- Y: 多种颜色 (Mixed Color)

<b>宁波高胜电子有限公司</b> NINGBO GOOSVN ELECTRONIC CO.,LTD	公差范围 (Tolerance Range)	
	150~	±1.50
型号 (Type): GSP001S-7.5-XXP-1Y-00A (H)	60~150	±1.00
	30~60	±0.60
核准 (Approval):	6~30	±0.40
	0~6	±0.25
审核 (Audit):	角度 (Angle)	X ±2°
	XX	±1°
设计 (Design):	单位 (Units): mm	页码 (Page): 1/1
	比例 (Scale): FULL	版次 (Version): T0



版次 (Version)	变更内容 (Rev. Content)	变更者 (Change Person)

技术参数 (Technical Data)		
项目 (Item)	UL	IEC
额定电气参数 (Rated Electrical Parameters)	300V/16A	400V/20A
压线范围 (Wire Range)	/	/
工频耐压 (Frequency Voltage)	AC 2500V	
冲击耐压 (Rated Surge Voltage)	6000V	
绝缘阻抗 (Insulation Resistance)	DC500V 500MΩ above	
接触电阻 (Contact Resistance)	≤8mΩ	
剥线长度 (Stripping Length)	/	
工作温度 (Temperature)	-40°C~+105°C	
材质和电镀 (Material and plating)		
绝缘材质 (Housing)	PA66 (UL94 V-0)	
触点材料 (Contact)	铜合金, 镀锡 (Copper alloy, Sn plated)	
/	/	

产品命名编码:  
(Product Number Code):  
**GSP001S-7.62-XXP-1Y-00A (H)**

产品型号 (Series No.) | 客户需求 (Customer Request)  
极数 (No. of poles) | 塑体颜色 (Housing Color)

- |                        |                       |
|------------------------|-----------------------|
| 1: 单倍间距 (Single Pitch) | 7: 透明色 (Transparent)  |
| 2: 双倍间距 (Double Pitch) | 8: 白色 (White)         |
|                        | 9: 黄色 (Yellow)        |
|                        | Y: 多种颜色 (Mixed Color) |
|                        | 6: 红色 (Red)           |

P=7.62mm, N为孔位数 (N for hole digits), 有效位数为 (Significant Digits): 02P~24P

N	02P	03P	04P	05P	06P	07P	08P	09P	10P	11P	12P	13P
L	13.22	20.84	28.46	36.08	43.70	51.32	58.94	66.56	74.18	81.80	89.42	97.04
B	7.62	15.24	22.86	30.48	38.10	45.72	53.34	60.96	68.58	76.20	83.82	91.44
N	14P	15P	16P	17P	18P	19P	20P	21P	22P	23P	24P	
L	104.66	112.28	119.90	127.52	135.14	142.76	150.38	158.00	165.62	173.24	180.86	
B	99.06	106.68	114.30	121.92	129.54	137.16	144.78	152.40	160.02	167.64	175.26	

**GOOSVN** 宁波高胜电子有限公司  
NINGBO GOOSVN ELECTRONIC CO.,LTD

公差范围 (Tolerance Range)

150~	±1.50
60~150	±1.00
30~60	±0.60
6~30	±0.40
0~6	±0.25

型号 (Type): GSP001S-7.62-XXP-1Y-00A (H)

核准 (Approval): \_\_\_\_\_ 图号 (Drawing NO.): \_\_\_\_\_

审核 (Audit): \_\_\_\_\_ 单位 (Units): mm 页码 (Page): 1/1

设计 (Design): \_\_\_\_\_ 比例 (Scale): FULL

版次 (Version): T0