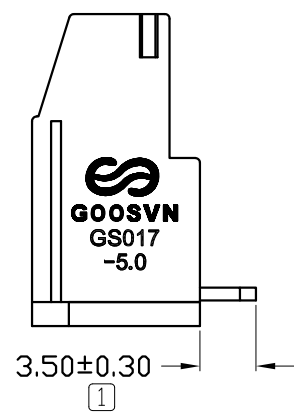
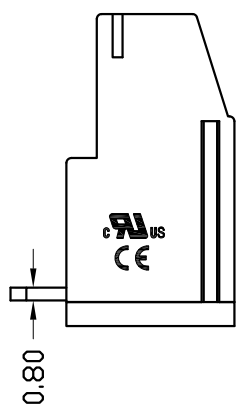
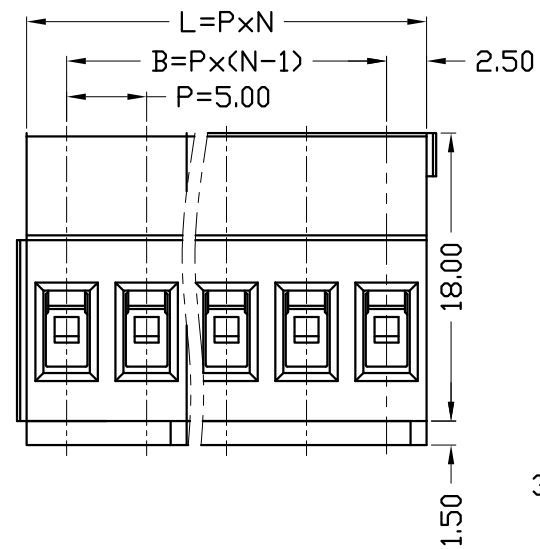
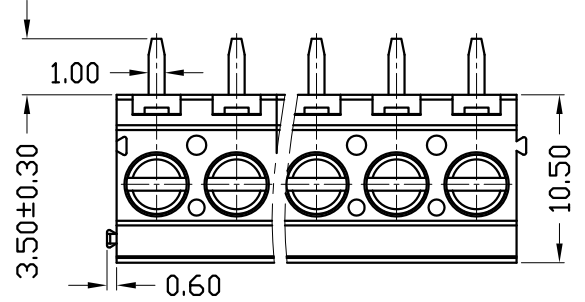
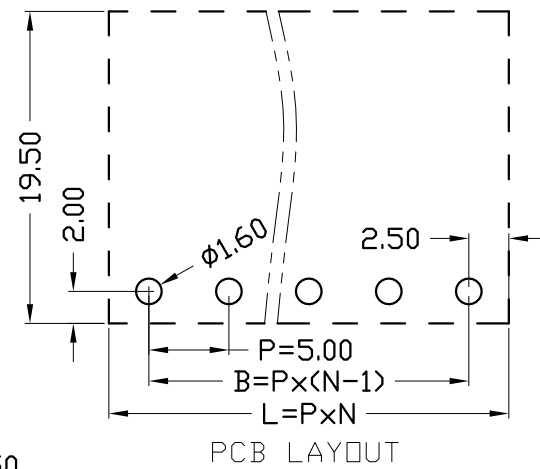


版次 (Version)	变更内容 (Rev. Content)	变更者 (Change Person)

技术参数 (Technical Data)		
项 目 (Item)	UL	IEC
额定电气参数 (Rated Electrical Parameters)	300V/20A	250V/20A
压线范围 (Wire Range)	26~12AWG	0.5~2.5mm <sup>2</sup>
工频耐压 (Frequency Voltage)	AC 2500V	
冲击耐压 (Rated Surge Voltage)	4000V	
绝缘阻抗 (Insulation Resistance)	DC500V 500MΩ above	
接触电阻 (Contact Resistance)	≤20mΩ	
剥线长度 (Stripping Length)	7mm	
工作温度 (Temperature)	-40°C~+105°C	
材质和电镀 (Material and plating)		
绝缘材质 (Housing)	PA66 (UL94 V-0)	
触点材料 (Contact)	铜合金, 镀锡 (Copper alloy, Sn plated)	
螺丝 (Screws)	钢, 镀锌 (Steel, Zn plated)	
方盒 (Cage)	铜合金, 镀镍 (Copper alloy, Ni plated)	



产品命名编码:  
(Product Number Code):

GS017R-5.0-XXP-1Y-00A (H)

产品型号 (Series No.)      客户需求 (Customer Request)  
极数 (No. of poles)      塑体颜色 (Housing Color)

- 1: 单倍间距 (Single Pitch)
- 2: 双倍间距 (Double Pitch)

- 1: 绿色 (Green)
- 2: 蓝色 (Blue)
- 3: 黑色 (Black)
- 4: 灰色 (Grey)
- 5: 橙色 (Orange)
- 6: 红色 (Red)
- 7: 透明色 (Transparent)
- 8: 白色 (White)
- 9: 黄色 (Yellow)
- Y: 多种颜色 (Mixed Color)

产品为02P/03P拼接, L为拼接产品总长, P为PIN距, N为位数 (有效位数为02P~XXP), P=5.00

N	02P	03P	04P	05P	06P	07P	08P	09P	10P	11P	12P	13P
L	10.00	15.00	20.00	25.00	30.00	35.00	40.00	45.00	50.00	55.00	60.00	65.00
B	5.00	10.00	15.00	20.00	25.00	30.00	35.00	40.00	45.00	50.00	55.00	60.00
N	14P	15P	16P	17P	18P	19P	20P	21P	22P	23P	24P	...
L	70.00	75.00	80.00	85.00	90.00	95.00	100.00	105.00	110.00	115.00	120.00	
B	65.00	70.00	75.00	80.00	85.00	90.00	95.00	100.00	105.00	110.00	115.00	

**宁波高胜电子有限公司**  
NINGBO GOOSVN ELECTRONIC CO.,LTD

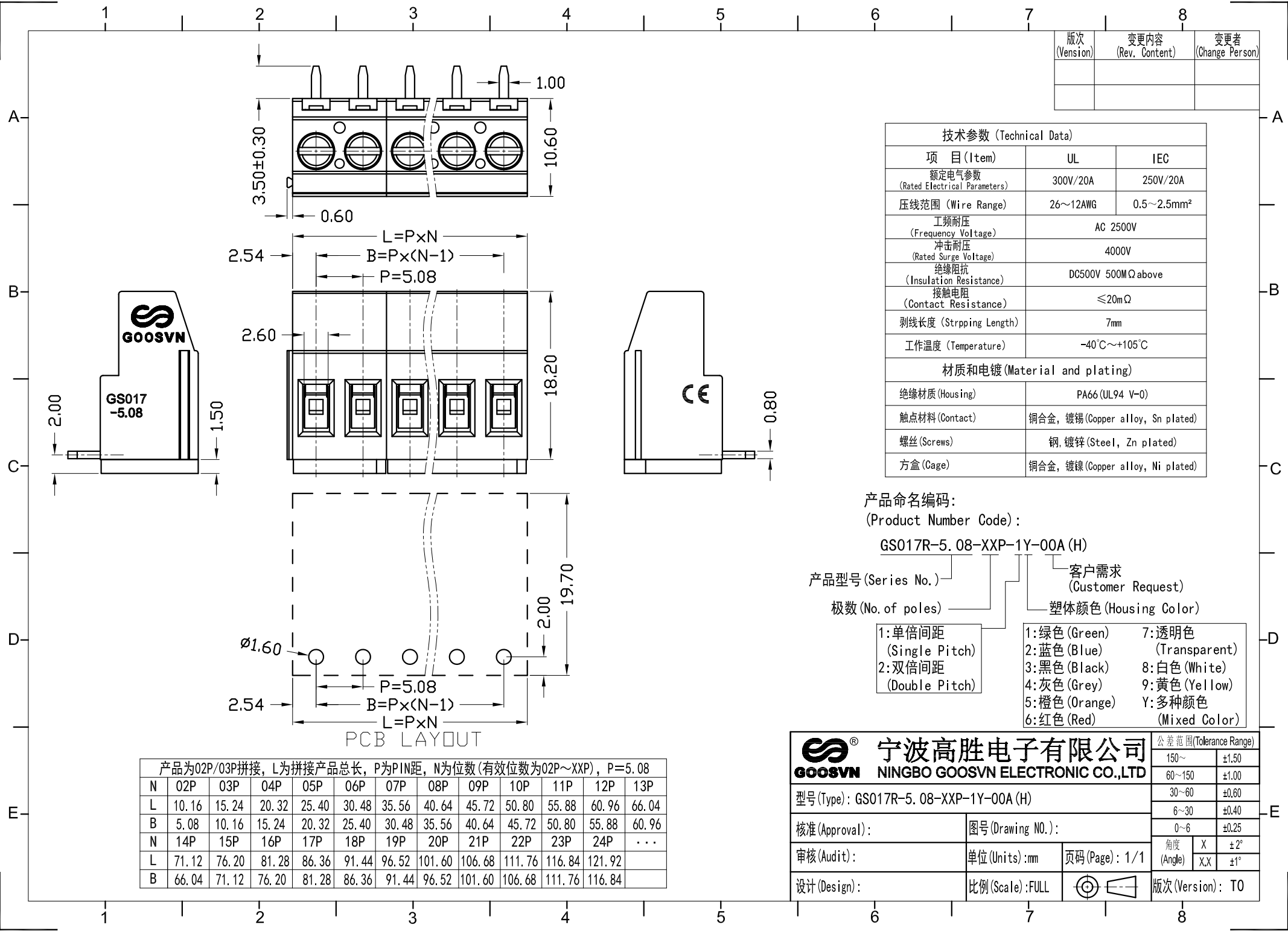
公差范围 (Tolerance Range)	
150~	±1.50
60~150	±1.00
30~60	±0.60
6~30	±0.40
0~6	±0.25
角度 (Angle)	X ±2° XX ±1°

型号 (Type): GS017R-5.0-XXP-1Y-00A (H)

核准 (Approval):      图号 (Drawing NO.):

审核 (Audit):      单位 (Units): mm      页码 (Page): 1/1

设计 (Design):      比例 (Scale): FULL      版次 (Version): T0



版次 (Version)	变更内容 (Rev. Content)	变更者 (Change Person)

技术参数 (Technical Data)		
项目 (Item)	UL	IEC
额定电气参数 (Rated Electrical Parameters)	300V/20A	250V/20A
压线范围 (Wire Range)	26~12AWG	0.5~2.5mm <sup>2</sup>
工频耐压 (Frequency Voltage)	AC 2500V	
冲击耐压 (Rated Surge Voltage)	4000V	
绝缘阻抗 (Insulation Resistance)	DC500V 500MΩ above	
接触电阻 (Contact Resistance)	≤20mΩ	
剥线长度 (Stripping Length)	7mm	
工作温度 (Temperature)	-40°C~+105°C	
材质和电镀 (Material and plating)		
绝缘材质 (Housing)	PA66 (UL94 V-0)	
触点材料 (Contact)	铜合金, 镀锡 (Copper alloy, Sn plated)	
螺丝 (Screws)	钢, 镀锌 (Steel, Zn plated)	
方盒 (Cage)	铜合金, 镀镍 (Copper alloy, Ni plated)	

产品命名编码:

(Product Number Code):

GS017R-5.08-XXP-1Y-00A (H)

产品型号 (Series No.)

客户需求  
(Customer Request)

极数 (No. of poles)

塑体颜色 (Housing Color)

- 1: 单倍间距 (Single Pitch)
- 2: 双倍间距 (Double Pitch)

- 7: 透明色 (Transparent)
- 8: 白色 (White)
- 9: 黄色 (Yellow)
- Y: 多种颜色 (Mixed Color)

产品为02P/03P拼接, L为拼接产品总长, P为PIN距, N为位数 (有效位数为02P~XXP), P=5.08

N	02P	03P	04P	05P	06P	07P	08P	09P	10P	11P	12P	13P
L	10.16	15.24	20.32	25.40	30.48	35.56	40.64	45.72	50.80	55.88	60.96	66.04
B	5.08	10.16	15.24	20.32	25.40	30.48	35.56	40.64	45.72	50.80	55.88	60.96
N	14P	15P	16P	17P	18P	19P	20P	21P	22P	23P	24P	...
L	71.12	76.20	81.28	86.36	91.44	96.52	101.60	106.68	111.76	116.84	121.92	
B	66.04	71.12	76.20	81.28	86.36	91.44	96.52	101.60	106.68	111.76	116.84	

**GOOSVN** 宁波高胜电子有限公司  
NINGBO GOOSVN ELECTRONIC CO.,LTD

公差范围 (Tolerance Range)

150~	±1.50
60~150	±1.00
30~60	±0.60
6~30	±0.40
0~6	±0.25

型号 (Type): GS017R-5.08-XXP-1Y-00A (H)

核准 (Approval): \_\_\_\_\_ 图号 (Drawing NO.): \_\_\_\_\_

审核 (Audit): \_\_\_\_\_ 单位 (Units): mm 页码 (Page): 1/1

设计 (Design): \_\_\_\_\_ 比例 (Scale): FULL

版次 (Version): T0