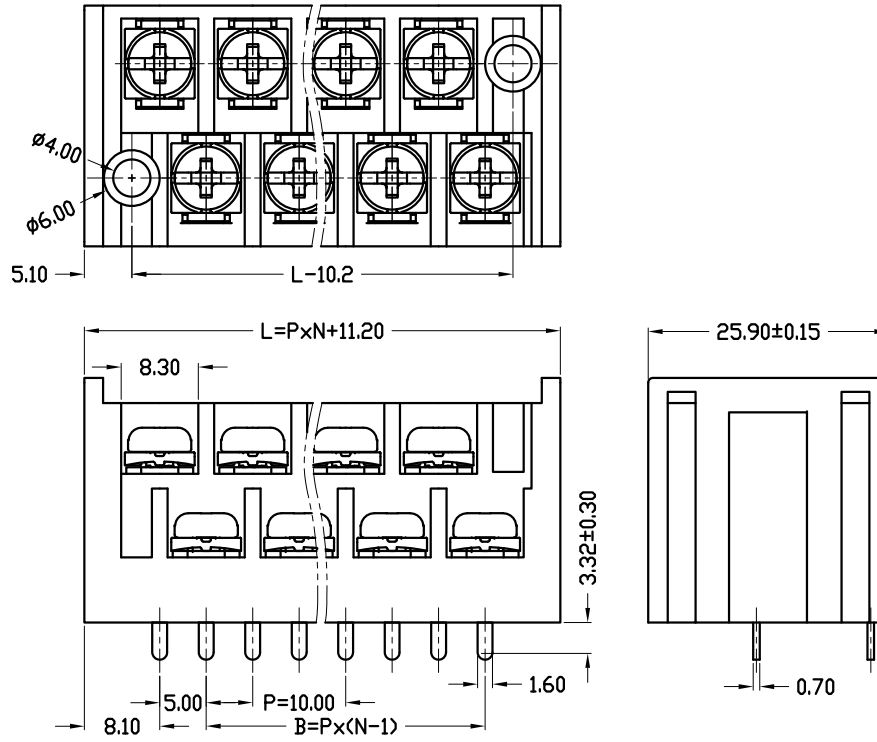


版次 (Version)	变更内容 (Rev. Content)	变更者 (Change Person)



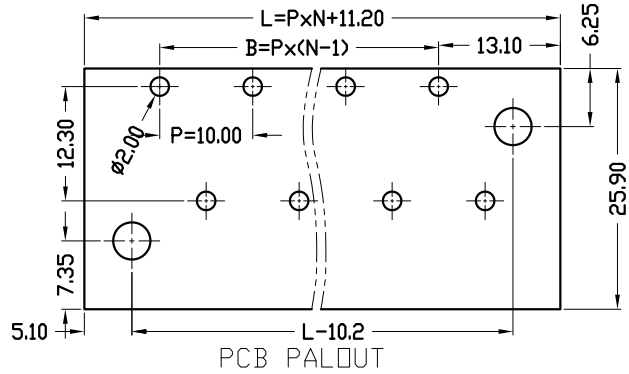
技术参数 (Technical Data)		
项目 (Item)	UL	IEC
额定电气参数 (Rated Electrical Parameters)	300V/25A	630V/32A
压线范围 (Wire Range)	22~12AWG	4.0mm ²
工频耐压 (Frequency Voltage)	AC 2500V	
冲击耐压 (Rated Surge Voltage)	6000V	
绝缘阻抗 (Insulation Resistance)	DC500V 500M Ω above	
接触电阻 (Contact Resistance)	$\leq 8m\Omega$	
剥线长度 (Stripping Length)	6~7mm	
工作温度 (Temperature)	-40 $^{\circ}$ C ~ +105 $^{\circ}$ C	
材质和电镀 (Material and plating)		
绝缘材质 (Housing)	PA66 (UL94 V-0)	
触点材料 (Contact)	铜合金, 镀锡 (Copper alloy, Sn plated)	
螺丝 (Screws)	钢, 镀锌 (Steel, Nickel plating)	

产品命名编码:
(Product Number Code):

GSA1000C2-10.0-2*XXP-1Y-00A(H)

产品型号 (Series No.) 客户需求 (Customer Request)
极数 (No. of poles) 塑体颜色 (Housing Color)

1: 单倍间距 (Single Pitch)	7: 透明色 (Transparent)
2: 双倍间距 (Double Pitch)	8: 白色 (White)
	9: 黄色 (Yellow)
	Y: 多种颜色 (Mixed Color)
	6: 红色 (Red)



P=10mm, N为孔位数 (N for hole digits), 有效位数为 (Significant Digits): 2*02P~20P

N	02P	03P	04P	05P	06P	N	07P	08P	09P	10P	11P
L	31.20	41.20	51.20	61.20	71.20	L	81.20	91.20	101.20	111.20	121.20
B	10.00	20.00	30.00	40.00	50.00	B	60.00	70.00	80.00	90.00	100.00
N	12P	13P	14P	15P	16P	N	17P	18P	19P	20P	
L	131.20	141.20	151.20	161.20	171.20	L	181.20	191.20	201.20	211.20	
B	110.00	120.00	130.00	140.00	150.00	B	160.00	170.00	180.00	190.00	

GOOSVN 宁波高胜电子有限公司 NINGBO GOOSVN ELECTRONIC CO.,LTD

型号 (Type): GSA1000C2-10.0-2*XXP-1Y-00A(H)

核准 (Approval): 图号 (Drawing NO.):

审核 (Audit): 单位 (Units): mm 页码 (Page): 1/1

设计 (Design): 比例 (Scale): FULL 版次 (Version): T0

公差范围 (Tolerance Range):

150~	± 1.50
60~150	± 1.00
30~60	± 0.60
6~30	± 0.30
0~6	± 0.25

角度 (Angle): X $\pm 2^{\circ}$, XX $\pm 1^{\circ}$