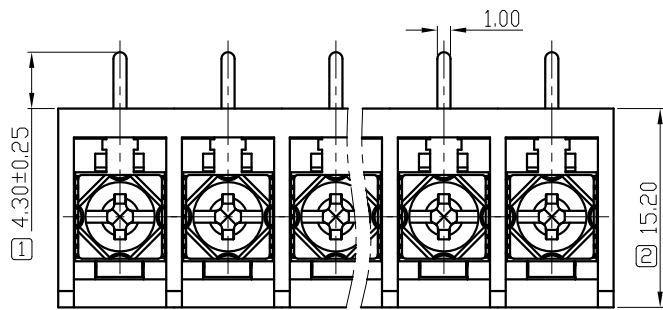
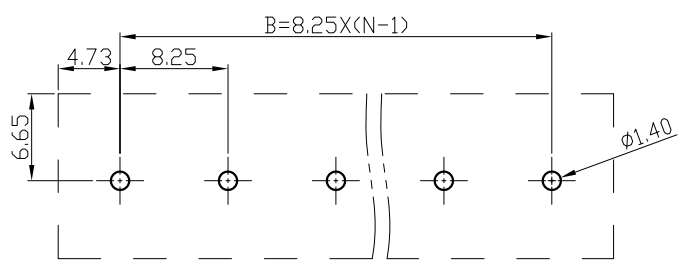
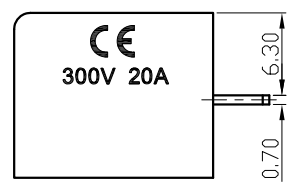
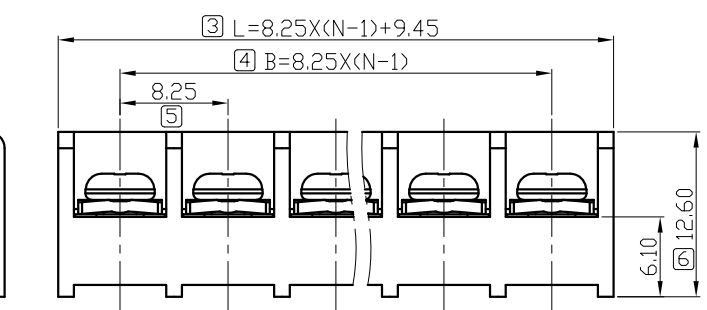
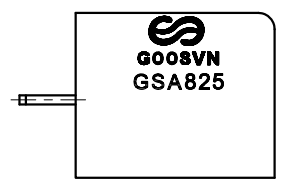


版次 (Version)	变更内容 (Rev. Content)	变更者 (Change Person)



技术参数 (Technical Data)		
项目 (Item)	UL	IEC
额定电气参数 (Rated Electrical Parameters)	300V/20A	450V/32A
压线范围 (Wire Range)	22~12AWG	4.0mm ²
工频耐压 (Frequency Voltage)	AC 2500V	
冲击耐压 (Rated Surge Voltage)	6000V	
绝缘阻抗 (Insulation Resistance)	DC500V 500MΩ above	
接触电阻 (Contact Resistance)	≤8mΩ	
剥线长度 (Stripping Length)	6~7mm	
工作温度 (Temperature)	-40°C~+105°C	
材质和电镀 (Material and plating)		
绝缘材质 (Housing)	PA66 (UL94 V-0)	
触点材料 (Contact)	铜合金, 镀锡 (Copper alloy, Sn plated)	
螺丝 (Screws)	钢, 镀镍 (Steel, Nickel plating)	



PCB LAYOUT

产品命名编码:

(Product Number Code):

GSA825R-8.25-XXP-1Y-00A (H)

产品型号 (Series No.)

客户需求
(Customer Request)

极数 (No. of poles)

塑体颜色 (Housing Color)

- 1: 单倍间距 (Single Pitch)
- 2: 双倍间距 (Double Pitch)

- 1: 绿色 (Green)
- 2: 蓝色 (Blue)
- 3: 黑色 (Black)
- 4: 灰色 (Grey)
- 5: 橙色 (Orange)
- 6: 红色 (Red)
- 7: 透明色 (Transparent)
- 8: 白色 (White)
- 9: 黄色 (Yellow)
- Y: 多种颜色 (Mixed Color)

L为本体总长, P为PIN距, N为位数 (有效位数为02P~24P), P=8.25mm

N	02P	03P	04P	05P	06P	07P	08P	09P	10P	11P	12P	13P
L	17.7	25.95	34.20	42.45	50.70	58.95	67.20	75.45	83.70	91.95	100.20	108.45
B	8.25	16.50	24.75	33.00	41.25	49.50	57.75	66.00	74.25	82.50	90.75	99.00
N	14P	15P	16P	17P	18P	19P	20P	21P	22P	23P	24P	
L	116.70	124.95	133.20	141.45	149.70	157.95	166.20	174.45	182.70	190.95	199.20	
B	107.25	115.50	123.75	132.00	140.25	148.50	156.75	165.00	173.25	181.50	189.75	

GOOSVN 宁波高胜电子有限公司
NINGBO GOOSVN ELECTRONIC CO.,LTD

公差范围 (Tolerance Range)

型号 (Type): GSA825R-8.25-XXP-1Y-00A (H)

核准 (Approval):

审核 (Audit):

设计 (Design):

150~	±1.50
60~150	±1.00
30~60	±0.60
6~30	±0.40
0~6	±0.25
角度 (Angle)	X ±2°
	XX ±1°
页码 (Page): 1/1	
单位 (Units): mm	
比例 (Scale): FULL	
版次 (Version): T0	