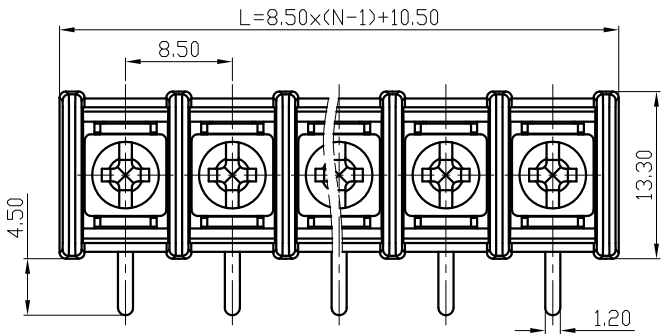


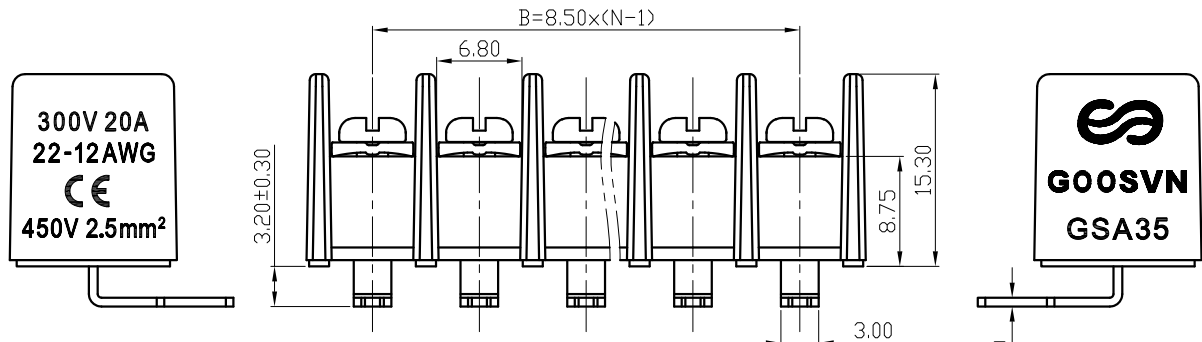
1 2 3 4 5 6 7 8

版次 (Version)	变更内容 (Rev. Content)	变更者 (Change Person)

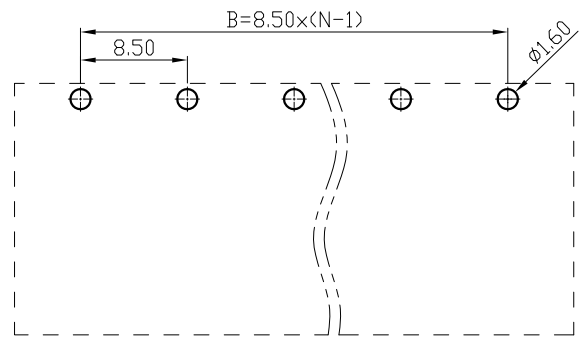
A



B



C



D

E

技术参数 (Technical Data)		
项目 (Item)	UL	IEC
额定电气参数 (Rated Electrical Parameters)	300V/20A	450V/24A
压线范围 (Wire Range)	22~12AWG	2.5mm ²
工频耐压 (Frequency Voltage)	AC 2500V	
冲击耐压 (Rated Surge Voltage)	4000V	
绝缘阻抗 (Insulation Resistance)	DC500V 500MΩ above	
接触电阻 (Contact Resistance)	≤8mΩ	
剥线长度 (Stripping Length)	6~7mm	
工作温度 (Temperature)	-40°C~+105°C	
材质和电镀 (Material and plating)		
绝缘材质 (Housing)	PA66 (UL94 V-0)	
触点材料 (Contact)	铜合金, 镀锡 (Copper alloy, Sn plated)	
螺丝 (Screws)	钢, 镀镍 (Steel, Nickel plating)	

产品命名编码:

(Product Number Code):

GSA35R-8.50-XXP-1Y-00A (H)

产品型号 (Series No.)

客户需求
(Customer Request)

极数 (No. of poles)

塑体颜色 (Housing Color)

- 1: 单倍间距 (Single Pitch)
- 2: 双倍间距 (Double Pitch)

- 7: 透明色 (Transparent)
- 8: 白色 (White)
- 9: 黄色 (Yellow)
- Y: 多种颜色 (Mixed Color)
- 3: 黑色 (Black)
- 4: 灰色 (Grey)
- 5: 橙色 (Orange)
- 6: 红色 (Red)
- 2: 蓝色 (Blue)
- 1: 绿色 (Green)

P=8.50mm, N为孔位数 (N for hole digits), 有效位数为 (Significant Digits): 02P~26P

N	02P	03P	04P	05P	06P	07P	N	08P	09P	10P	11P	12P	13P	14P
L	19.00	27.50	36.00	44.50	53.00	61.50	L	70.00	78.50	87.00	95.50	104.00	112.50	121.00
B	8.50	17.00	25.50	34.00	42.50	51.00	B	59.50	68.00	76.50	85.00	93.50	102.00	110.50
N	15P	16P	17P	18P	19P	20P	N	21P	22P	23P	24P	25P	26P	
L	129.50	138.00	146.50	155.00	163.50	172.00	L	180.50	189.00	197.50	206.00	214.50	223.00	
B	119.00	127.50	136.00	144.50	153.00	161.50	B	170.00	178.50	187.00	195.50	204.00	212.50	

宁波高胜电子有限公司
NINGBO GOOSVN ELECTRONIC CO.,LTD

公差范围 (Tolerance Range)	
150~	±1.50
60~150	±1.00
30~60	±0.60
6~30	±0.40
0~6	±0.25
角度 (Angle)	X ±2° XX ±1°

型号 (Type): GSA35R-8.50-XXP-1Y-00A (H)

核准 (Approval): _____ 图号 (Drawing NO.): _____

审核 (Audit): _____ 单位 (Units): mm 页码 (Page): 1/1

设计 (Design): _____ 比例 (Scale): FULL 版次 (Version): T0

1 2 3 4 5 6 7 8