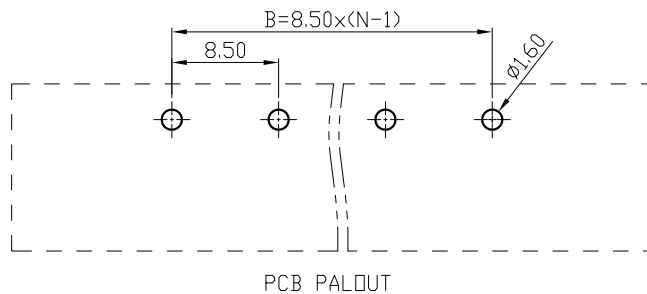
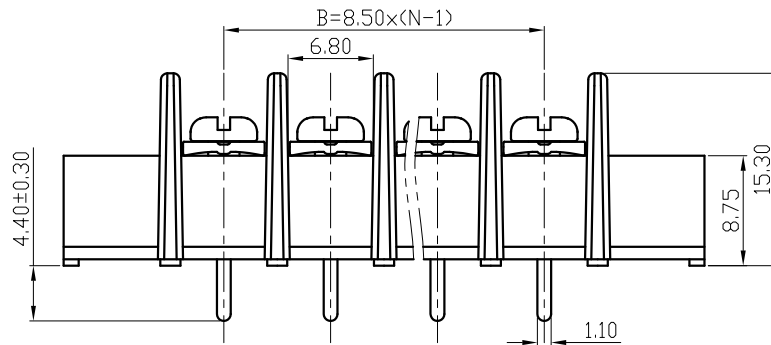
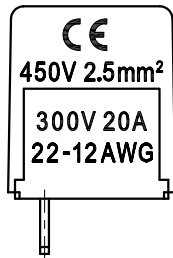
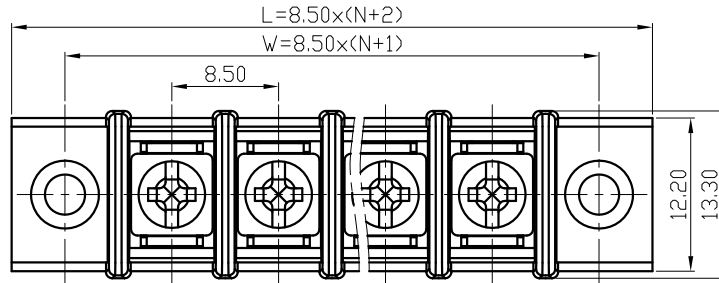


版次 (Version)	变更内容 (Rev. Content)	变更者 (Change Person)



技术参数 (Technical Data)		
项目 (Item)	UL	IEC
额定电气参数 (Rated Electrical Parameters)	300V/20A	450V/24A
压线范围 (Wire Range)	22~12AWG	2.5mm <sup>2</sup>
工频耐压 (Frequency Voltage)	AC 2500V	
冲击耐压 (Rated Surge Voltage)	4000V	
绝缘阻抗 (Insulation Resistance)	DC500V 500MΩ above	
接触电阻 (Contact Resistance)	≤8mΩ	
剥线长度 (Stripping Length)	6~7mm	
工作温度 (Temperature)	-40°C~+105°C	
材质和电镀 (Material and plating)		
绝缘材质 (Housing)	PA66 (UL94 V-0)	
触点材料 (Contact)	铜合金, 镀锡 (Copper alloy, Sn plated)	
螺丝 (Screws)	钢, 镀镍 (Steel, Nickel plating)	

产品命名编码:

(Product Number Code):

GSA35SW-8.50-XXP-1Y-00A (H)

产品型号 (Series No.)

客户需求

(Customer Request)

极数 (No. of poles)

塑体颜色 (Housing Color)

- 1: 单倍间距 (Single Pitch)
- 2: 双倍间距 (Double Pitch)

- 1: 绿色 (Green)
- 2: 蓝色 (Blue)
- 3: 黑色 (Black)
- 4: 灰色 (Grey)
- 5: 橙色 (Orange)
- 6: 红色 (Red)
- 7: 透明色 (Transparent)
- 8: 白色 (White)
- 9: 黄色 (Yellow)
- Y: 多种颜色 (Mixed Color)

P=8.50mm, N为孔位数 (N for hole digits), 有效位数为 (Significant Digits): 02P~24P

N	02P	03P	04P	05P	06P	07P	N	08P	09P	10P	11P	12P	13P	14P
L	34.00	42.50	51.00	59.50	68.00	76.50	L	85.00	93.50	102.00	110.50	119.00	127.50	136.00
W	25.50	34.00	42.50	51.00	59.50	68.00	W	76.50	85.00	93.50	102.00	110.50	119.00	127.50
B	8.50	17.00	25.50	34.00	42.50	51.00	B	59.50	68.00	76.50	85.00	93.50	102.00	110.50
N	15P	16P	17P	18P	19P	20P	N	21P	22P	23P	24P	25P	26P	
L	144.50	153.00	161.50	170.00	178.50	187.00	L	195.50	204.00	212.50	221.00	229.50	238.00	
W	136.00	144.50	153.00	161.50	170.00	178.50	W	187.00	195.50	204.00	212.50	221.00	229.50	
B	119.00	127.50	136.00	144.50	153.00	161.50	B	170.00	178.50	187.00	195.50	204.00	212.50	

GOOSVN 宁波高胜电子有限公司		公差范围 (Tolerance Range)	
NINGBO GOOSVN ELECTRONIC CO.,LTD		150~	±1.50
型号 (Type): GSA35SW-8.50-XXP-1Y-00A (H)		60~150	±1.00
核准 (Approval):		30~60	±0.60
图号 (Drawing NO.):		6~30	±0.40
审核 (Audit):		0~6	±0.25
单位 (Units): mm		角度 (Angle)	X ±2°
页码 (Page): 1/1		XX	±1°
设计 (Design):		比例 (Scale): FULL	版次 (Version): T0