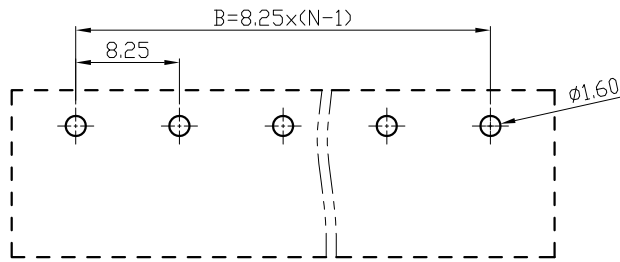
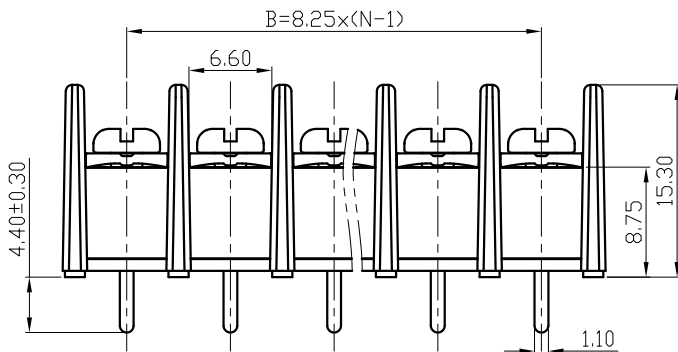
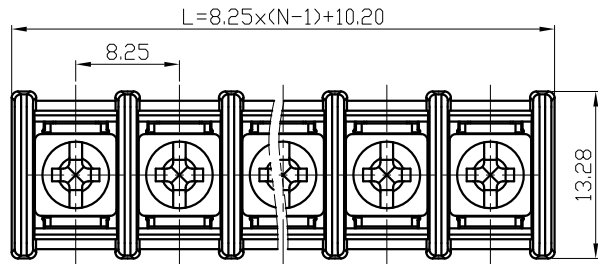


版次 (Version)	变更内容 (Rev. Content)	变更者 (Change Person)



PCB PALOUT

300V 20A  
22-12AWG  
CE  
450V 2.5mm<sup>2</sup>

GOOSVN  
GSA30

技术参数 (Technical Data)		
项目 (Item)	UL	IEC
额定电气参数 (Rated Electrical Parameters)	300V/20A	450V/24A
压线范围 (Wire Range)	22~12AWG	2.5mm <sup>2</sup>
工频耐压 (Frequency Voltage)	AC 2500V	
冲击耐压 (Rated Surge Voltage)	4000V	
绝缘阻抗 (Insulation Resistance)	DC500V 500MΩ above	
接触电阻 (Contact Resistance)	≤8mΩ	
剥线长度 (Stripping Length)	6~7mm	
工作温度 (Temperature)	-40°C~+105°C	
材质和电镀 (Material and plating)		
绝缘材质 (Housing)	PA66 (UL94 V-0)	
触点材料 (Contact)	铜合金, 镀锡 (Copper alloy, Sn plated)	
螺丝 (Screws)	钢, 镀镍 (Steel, Nickel plating)	

产品命名编码:

(Product Number Code):

GSA30S-8.25-XXP-1Y-00A (H)

产品型号 (Series No.)

极数 (No. of poles)

1: 单倍间距  
(Single Pitch)  
2: 双倍间距  
(Double Pitch)

客户需求

(Customer Request)

塑体颜色 (Housing Color)

1: 绿色 (Green)      7: 透明色  
(Transparent)  
2: 蓝色 (Blue)      8: 白色 (White)  
3: 黑色 (Black)      9: 黄色 (Yellow)  
4: 灰色 (Grey)      Y: 多种颜色  
5: 橙色 (Orange)      (Mixed Color)  
6: 红色 (Red)

P=8.25mm, N为孔位数 (N for hole digits), 有效位数为 (Significant Digits): 02P~26P

N	02P	03P	04P	05P	06P	07P	N	08P	09P	10P	11P	12P	13P	14P
L	18.45	26.70	34.95	43.20	51.45	59.70	L	67.95	76.20	84.45	92.70	100.95	109.20	117.45
B	8.25	16.50	24.75	30.00	41.25	49.50	B	57.75	66.00	74.25	82.50	90.75	99.00	107.25
N	15P	16P	17P	18P	19P	20P	N	21P	22P	23P	24P	25P	26P	
L	125.70	133.95	142.20	150.45	158.70	166.95	L	175.20	183.45	191.70	199.95	208.20	216.45	
B	115.50	123.75	132.00	140.25	148.50	156.75	B	165.00	173.25	181.50	189.75	198.00	206.25	

GOOSVN 宁波高胜电子有限公司 NINGBO GOOSVN ELECTRONIC CO.,LTD		公差范围 (Tolerance Range)	
型号 (Type): GSA30S-8.25-XXP-1Y-00A (H)		150~	±1.50
核准 (Approval):		60~150	±1.00
图号 (Drawing NO.):		30~60	±0.60
审核 (Audit):		6~30	±0.40
单位 (Units): mm		0~6	±0.25
页码 (Page): 1/1		角度 (Angle)	X ±2° XX ±1°
设计 (Design):		比例 (Scale): FULL	版次 (Version): T0