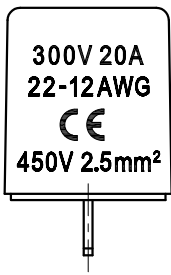
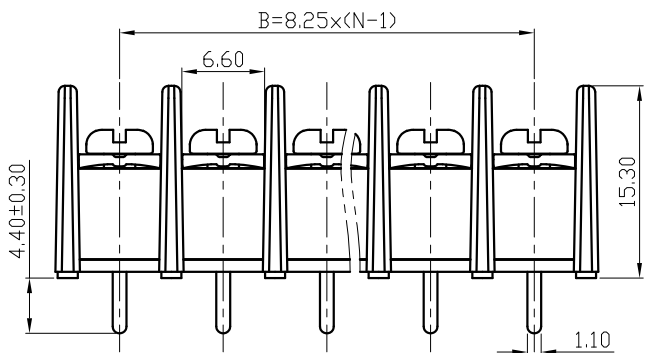
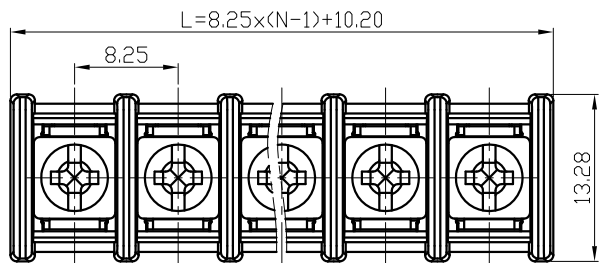
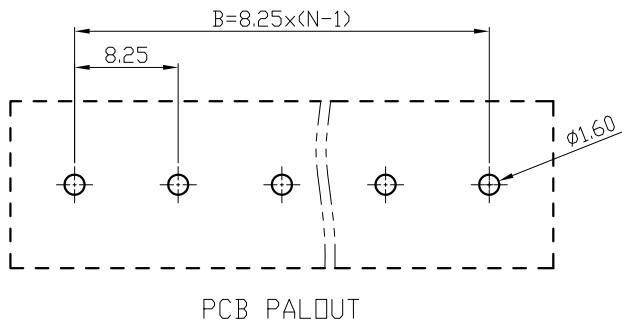


| 版次 (Version) | 变更内容 (Rev. Content) | 变更者 (Change Person) |
|-----------------|------------------------|------------------------|
| | | |
| | | |



| 技术参数 (Technical Data) | | |
|---|-----------------------------------|--------------------|
| 项目 (Item) | UL | IEC |
| 额定电气参数 (Rated Electrical Parameters) | 300V/20A | 450V/24A |
| 压线范围 (Wire Range) | 22~12AWG | 2.5mm ² |
| 工频耐压 (Frequency Voltage) | AC 2500V | |
| 冲击耐压 (Rated Surge Voltage) | 4000V | |
| 绝缘阻抗 (Insulation Resistance) | DC500V 500MΩ above | |
| 接触电阻 (Contact Resistance) | ≤8mΩ | |
| 剥线长度 (Stripping Length) | 6~7mm | |
| 工作温度 (Temperature) | -40°C~+105°C | |
| 材质和电镀 (Material and plating) | | |
| 绝缘材质 (Housing) | PA66 (UL94 V-0) | |
| 触点材料 (Contact) | 铜合金, 镀锡 (Copper alloy, Sn plated) | |
| 螺丝 (Screws) | 钢, 镀镍 (Steel, Nickel plating) | |



产品命名编码:

(Product Number Code):

GSA30C-8.25-XXP-1Y-00A(H)

产品型号 (Series No.)

客户需求

(Customer Request)

极数 (No. of poles)

塑体颜色 (Housing Color)

- 1: 单倍间距 (Single Pitch)
- 2: 双倍间距 (Double Pitch)

- 1: 绿色 (Green)
- 2: 蓝色 (Blue)
- 3: 黑色 (Black)
- 4: 灰色 (Grey)
- 5: 橙色 (Orange)
- 6: 红色 (Red)
- 7: 透明色 (Transparent)
- 8: 白色 (White)
- 9: 黄色 (Yellow)
- Y: 多种颜色 (Mixed Color)

P=8.25mm, N为孔位数 (N for hole digits), 有效位数为 (Significant Digits): 02P~26P

| N | 02P | 03P | 04P | 05P | 06P | 07P | N | 08P | 09P | 10P | 11P | 12P | 13P | 14P |
|---|--------|--------|--------|--------|--------|--------|---|--------|--------|--------|--------|--------|--------|--------|
| L | 18.45 | 26.70 | 34.95 | 43.20 | 51.45 | 59.70 | L | 67.95 | 76.20 | 84.45 | 92.70 | 100.95 | 109.20 | 117.45 |
| B | 8.25 | 16.50 | 24.75 | 30.00 | 41.25 | 49.50 | B | 57.75 | 66.00 | 74.25 | 82.50 | 90.75 | 99.00 | 107.25 |
| N | 15P | 16P | 17P | 18P | 19P | 20P | N | 21P | 22P | 23P | 24P | 25P | 26P | |
| L | 125.70 | 133.95 | 142.20 | 150.45 | 158.70 | 166.95 | L | 175.20 | 183.45 | 191.70 | 199.95 | 208.20 | 216.45 | |
| B | 115.50 | 123.75 | 132.00 | 140.25 | 148.50 | 156.75 | B | 165.00 | 173.25 | 181.50 | 189.75 | 198.00 | 206.25 | |

宁波高胜电子有限公司
NINGBO GOOSVN ELECTRONIC CO.,LTD

| 公差范围 (Tolerance Range) | |
|------------------------|-----------------|
| 150~ | ±1.50 |
| 60~150 | ±1.00 |
| 30~60 | ±0.60 |
| 6~30 | ±0.40 |
| 0~6 | ±0.25 |
| 角度 (Angle) | X ±2° XX ±1° |

型号 (Type): GSA30C-8.25-XXP-1Y-00A(H)

核准 (Approval): _____ 图号 (Drawing NO.): _____

审核 (Audit): _____ 单位 (Units): mm 页码 (Page): 1/1

设计 (Design): _____ 比例 (Scale): FULL 版次 (Version): T0