

1 2 3 4 5 6 7 8

版次 (Version)	变更内容 (Rev. Content)	变更者 (Change Person)

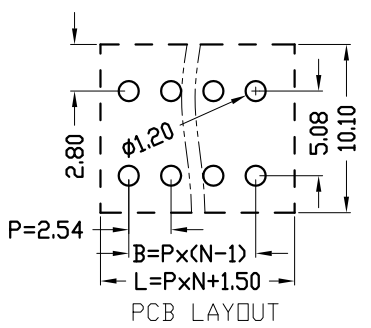
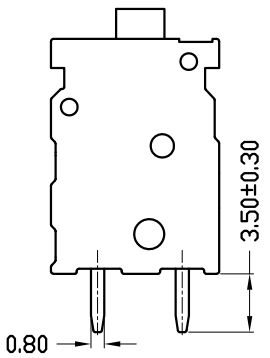
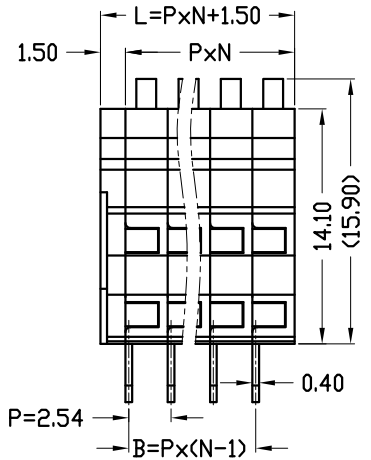
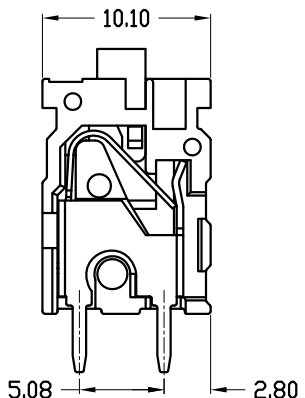
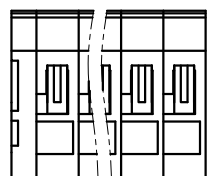
A

B

C

D

E



技术参数 (Technical Data)		
项 目 (Item)	UL	IEC
额定电气参数 (Rated Electrical Parameters)	150V/5A	130V/6A
压线范围 (Wire Range)	28~20AWG	1.0mm ²
工频耐压 (Frequency Voltage)	AC 1250V	
冲击耐压 (Rated Surge Voltage)	2500V	
绝缘阻抗 (Insulation Resistance)	DC500V 500MΩ above	
接触电阻 (Contact Resistance)	≤20mΩ	
剥线长度 (Stripping Length)	8~9mm	
工作温度 (Temperature)	-40°C~+105°C	
材质和电镀 (Material and plating)		
绝缘材质 (Housing)	PA66 (UL94 V-0)	
触点材料 (Contact)	铜合金, 镀锡 (Copper alloy, Sn plated)	
螺钉 (Screwing)	不锈钢 (Stainless)	

产品命名编码:
(Product Number Code):
GSL016S-2.54-XXP-1Y-00A (H)

产品型号 (Series No.) 客户需求 (Customer Request)
极数 (No. of poles) 塑体颜色 (Housing Color)

- | | |
|------------------------|-----------------------|
| 1: 单倍间距 (Single Pitch) | 7: 透明色 (Transparent) |
| 2: 双倍间距 (Double Pitch) | 8: 白色 (White) |
| | 9: 黄色 (Yellow) |
| | Y: 多种颜色 (Mixed Color) |
| | 3: 黑色 (Black) |
| | 4: 灰色 (Grey) |
| | 5: 橙色 (Orange) |
| | 6: 红色 (Red) |

P=2.54mm, N为孔位数 (N for hole digits), 有效位数为 (Significant Digits): 01P~XXP

N	01P	02P	03P	04P	05P	06P	07P	08P	09P	10P	11P	12P
L	4.04	6.58	9.12	11.66	14.20	16.74	19.28	21.82	24.36	26.90	29.44	31.98
B	/	2.54	5.08	7.62	10.16	12.70	15.24	17.78	20.32	22.86	25.40	27.94
N	13P	14P	15P	16P	17P	18P	19P	20P	21P	22P	23P	24P
L	34.52	37.06	39.60	42.14	44.68	47.22	49.76	52.30	54.84	57.38	59.92	62.46
B	30.48	33.02	35.56	38.10	40.64	43.18	45.72	48.26	50.80	53.34	55.88	58.42

GOOSVN 宁波高胜电子有限公司
NINGBO GOOSVN ELECTRONIC CO.,LTD

型号 (Type): GSL016S-2.54-XXP-1Y-00A (H)

核准 (Approval): 图号 (Drawing NO.):

审核 (Audit): 单位 (Units): mm 页码 (Page): 1/1

设计 (Design): 比例 (Scale): FULL 版次 (Version): T0

公差范围 (Tolerance Range):
150~ ±1.50
60~150 ±1.00
30~60 ±0.60
6~30 ±0.40
0~6 ±0.25

角度 (Angle):
X ±2°
XX ±1°

1 2 3 4 5 6 7 8