

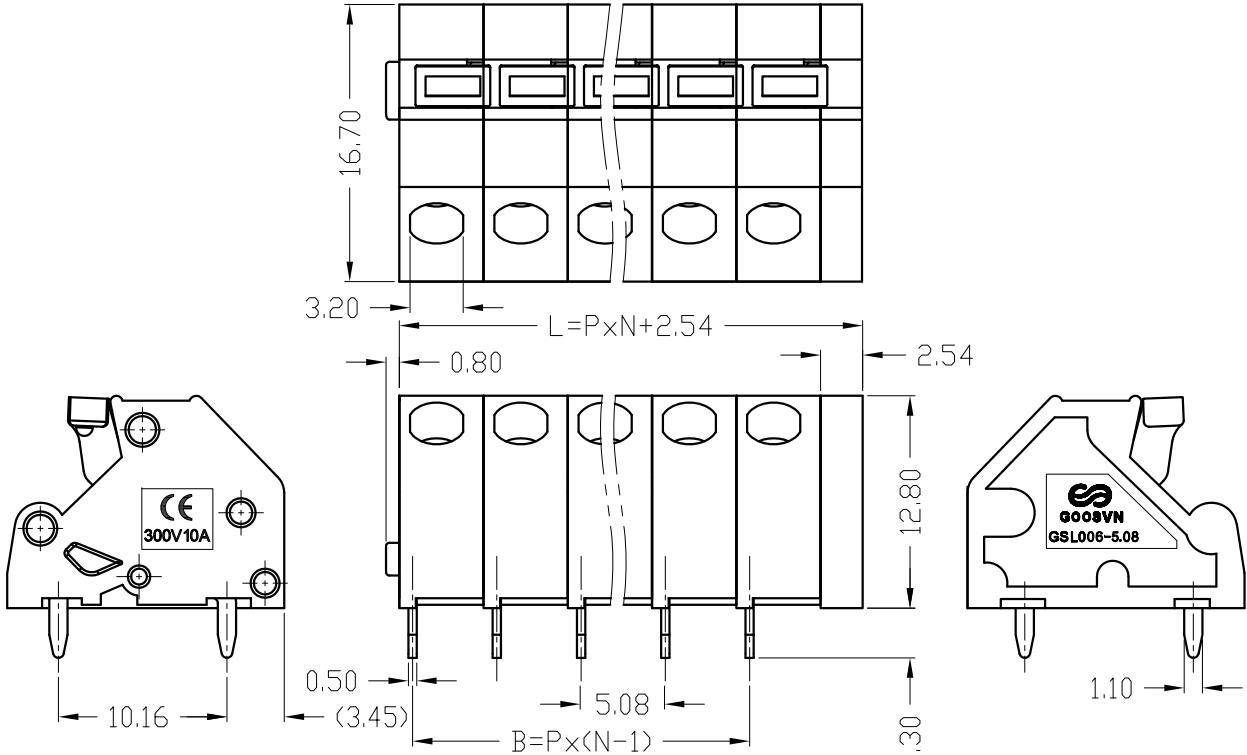
1 2 3 4 5 6 7 8

版次 (Version)	变更内容 (Rev. Content)	变更者 (Change Person)

A

技术参数 (Technical Data)		
项 目 (Item)	UL	IEC
额定电气参数 (Rated Electrical Parameters)	300V/10A	320V/10A
压线范围 (Wire Range)	22~16AWG	1.5mm <sup>2</sup>
工频耐压 (Frequency Voltage)	AC 2500V	
冲击耐压 (Rated Surge Voltage)	5000V	
绝缘阻抗 (Insulation Resistance)	DC500V 500MΩ above	
接触电阻 (Contact Resistance)	≤8mΩ	
剥线长度 (Stripping Length)	8~9mm	
工作温度 (Temperature)	-40°C~+105°C	
材质和电镀 (Material and plating)		
绝缘材质 (Housing)	PA66 (UL94 V-0)	
触点材料 (Contact)	铜合金, 镀锡 (Copper alloy, Sn plated)	
螺钉 (Screwing)	不锈钢 (Stainless)	

B



C

产品命名编码:

(Product Number Code):

GSL006-5.08-XXP-1Y-00A (H)

产品型号 (Series No.)

客户需求  
(Customer Request)

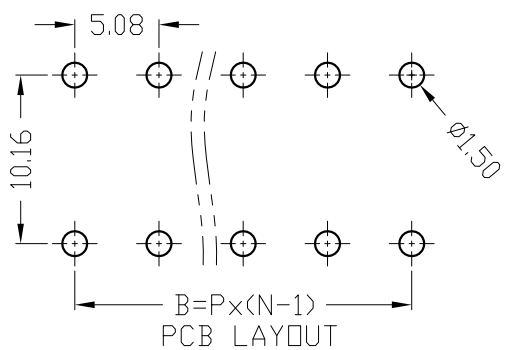
极数 (No. of poles)

塑体颜色 (Housing Color)

- 1: 单倍间距 (Single Pitch)
- 2: 双倍间距 (Double Pitch)

- 1: 绿色 (Green)
- 2: 蓝色 (Blue)
- 3: 黑色 (Black)
- 4: 灰色 (Grey)
- 5: 橙色 (Orange)
- 6: 红色 (Red)
- 7: 透明色 (Transparent)
- 8: 白色 (White)
- 9: 黄色 (Yellow)
- Y: 多种颜色 (Mixed Color)

D



E

P=5.08mm, N为孔位数 (N for hole digits), 有效位数为 (Significant Digits): 01P~XXP

N	01P	02P	03P	04P	05P	06P	07P	08P	09P	10P	11P	12P	13P
L	7.62	12.70	17.78	22.86	27.94	33.02	38.10	43.18	48.26	53.34	58.42	63.50	68.58
B	/	5.08	10.16	15.24	20.32	25.40	30.48	35.56	40.64	45.72	50.80	55.88	60.96
N	14P	15P	16P	17P	18P	19P	20P	21P	22P	23P	24P	25P	...
L	73.66	78.74	83.82	88.90	93.98	99.06	104.14	109.22	114.30	119.38	124.46	129.54	
B	66.04	71.12	76.20	81.28	86.36	91.44	96.52	101.60	106.68	111.76	116.84	121.92	

**宁波高胜电子有限公司**

NINGBO GOOSVN ELECTRONIC CO.,LTD

公差范围 (Tolerance Range)	
150~	±1.50
60~150	±1.00
30~60	±0.60
6~30	±0.40
0~6	±0.25
角度 (Angle)	X ±2°
	XX ±1°

型号 (Type): GSL006-5.08-XXP-1Y-00A (H)

核准 (Approval): \_\_\_\_\_ 图号 (Drawing NO.): \_\_\_\_\_

审核 (Audit): \_\_\_\_\_ 单位 (Units): mm 页码 (Page): 1/1

设计 (Design): \_\_\_\_\_ 比例 (Scale): FULL 版次 (Version): T0

1 2 3 4 5 6 7 8