

版次 (Version)	变更内容 (Rev. Content)	变更者 (Change Person)

A

B

C

D

E

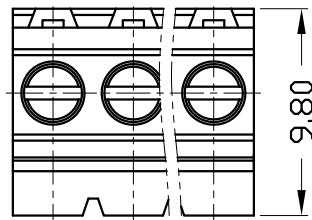
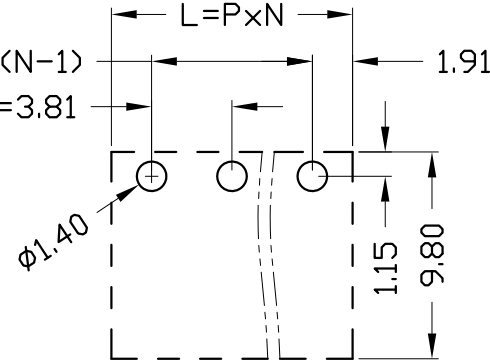
A

B

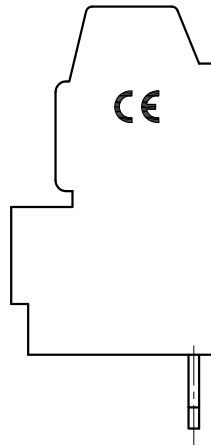
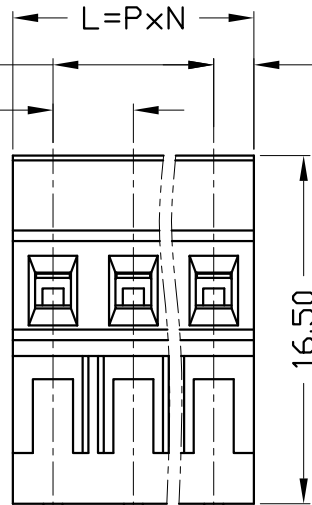
C

D

E


 $B = P \times (N - 1)$   
 $P = 3.81$ 


PCB LAYOUT

 $B = P \times (N - 1)$   
 $P = 3.81$ 


技术参数 (Technical Data)		
项 目 (Item)	UL	IEC
额定电气参数 (Rated Electrical Parameters)	150V/10A	130V/10A
压线范围 (Wire Range)	26~16AWG	0.5~1.0mm <sup>2</sup>
工频耐压 (Frequency Voltage)	AC 2000V	
冲击耐压 (Rated Surge Voltage)	2500V	
绝缘阻抗 (Insulation Resistance)	DC500V 500MΩ above	
接触电阻 (Contact Resistance)	≤20mΩ	
剥线长度 (Stripping Length)	5mm	
工作温度 (Temperature)	-40°C~+105°C	
材质和电镀 (Material and plating)		
绝缘材质 (Housing)	PA66 (UL94 V-0)	
触点材料 (Contact)	铜合金, 镀锡 (Copper alloy, Sn plated)	
螺丝 (Screws)	钢, 镀锌 (Steel, Zn plated)	
方盒 (Cage)	铜合金, 镀镍 (Copper alloy, Ni plated)	

产品命名编码:

(Product Number Code):

GS034H-3.81-XXP-1Y-00A (H)

产品型号 (Series No.)

客户需求

(Customer Request)

极数 (No. of poles)

塑体颜色 (Housing Color)

1: 单倍间距  
(Single Pitch)  
2: 双倍间距  
(Double Pitch)

1: 绿色 (Green)      7: 透明色  
(Transparent)  
2: 蓝色 (Blue)      8: 白色 (White)  
3: 黑色 (Black)     9: 黄色 (Yellow)  
4: 灰色 (Grey)      Y: 多种颜色  
5: 橙色 (Orange)  
6: 红色 (Red)      (Mixed Color)

P=3.81mm, N为孔位数 (N for hole digits), 有效位数为 (Significant Digits): 02P~XXP

N	02P	03P	04P	05P	06P	07P	08P	09P	10P	11P	12P	13P
L	7.62	11.43	15.24	19.05	22.86	26.67	30.48	34.29	38.10	41.91	45.72	49.53
B	3.81	7.62	11.43	15.24	19.05	22.86	26.67	30.48	34.29	38.10	41.91	45.72
N	14P	15P	16P	17P	18P	19P	20P	21P	22P	23P	24P	...
L	53.34	57.15	60.96	64.77	68.58	72.39	76.20	80.01	83.82	87.63	91.44	
B	49.53	53.34	57.15	60.96	64.77	68.58	72.39	76.20	80.01	83.82	87.63	

GOOSVN 宁波高胜电子有限公司		公差范围 (Tolerance Range)	
NINGBO GOOSVN ELECTRONIC CO.,LTD		150~	±1.50
型号 (Type): GS034H-3.81-XXP-1Y-00A (H)		60~150	±1.00
核准 (Approval):		30~60	±0.60
图号 (Drawing NO.):		6~30	±0.40
审核 (Audit):		0~6	±0.25
单位 (Units): mm		角度 (Angle)	X ±2°
页码 (Page): 1/1		XX	±1°
设计 (Design):		比例 (Scale): FULL	版次 (Version): T0